



## Installation instructions

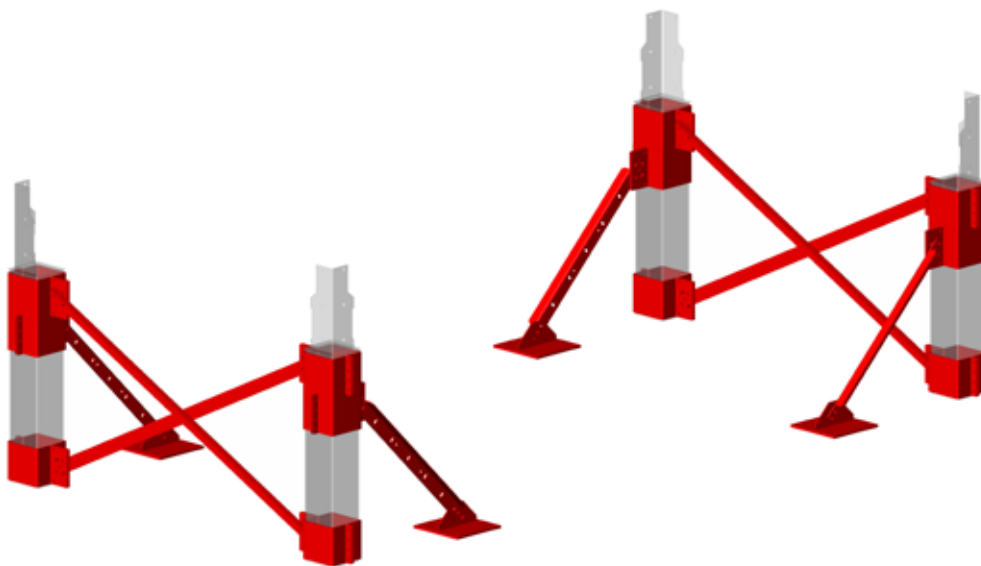
---

### SUPPORTS FOR THE LEGS

L=1000

2W, 3W, 4W

**408118(en)**



### **ANTTI-TEOLLISUUS OY**

Koskentie 89

FI-25340 Kanunki, Salo

Tel. +358 2 774 4700

E-mail: [antti@antti-teollisuus.fi](mailto:antti@antti-teollisuus.fi)

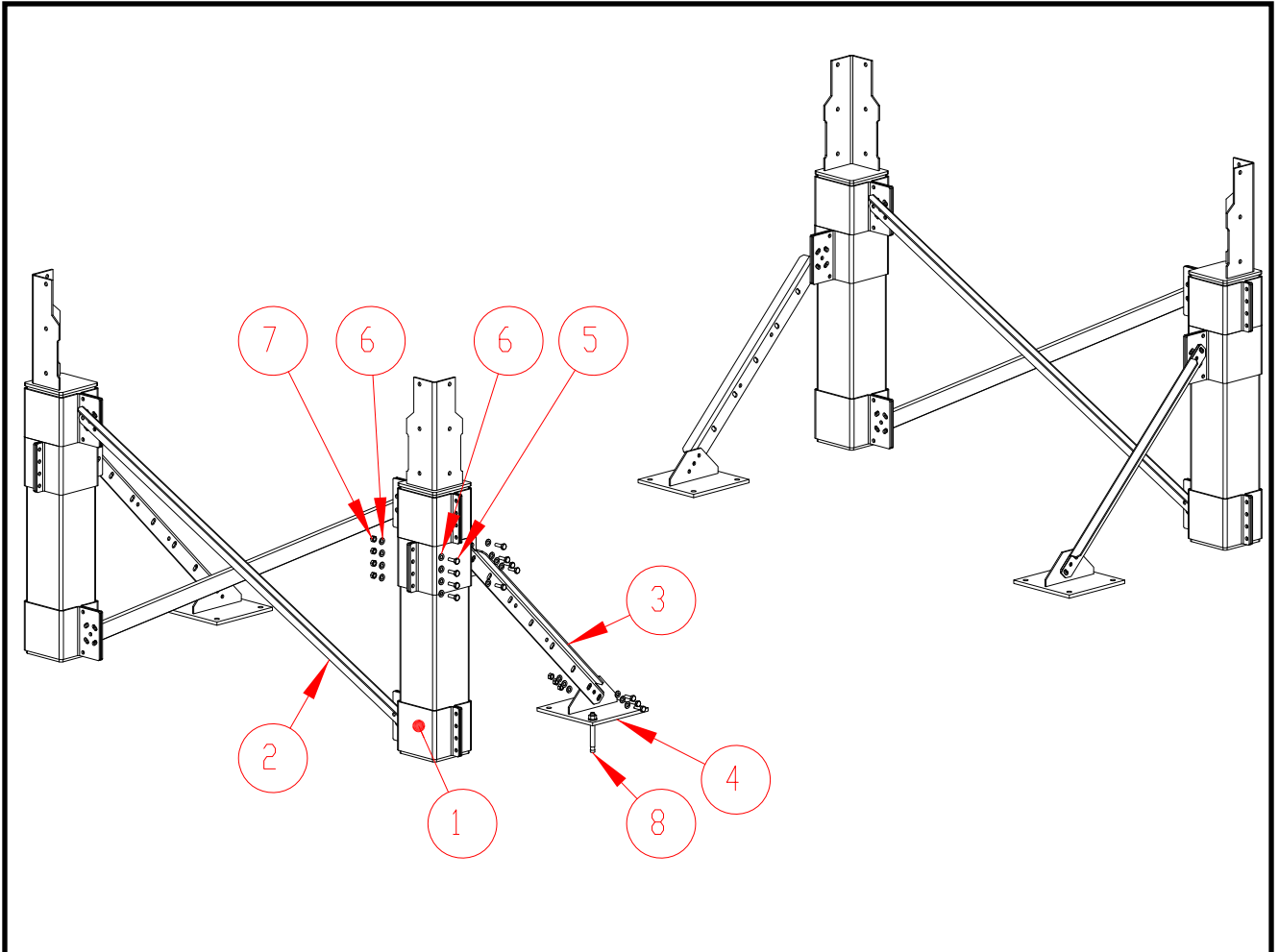
[www.antti-teollisuus.fi](http://www.antti-teollisuus.fi)

**05-2020**

# CONTENTS

Spare part drawing - A76565.....	3
2W .....	4
3W .....	5
4W .....	6
EU Declaration of Conformity .....	7

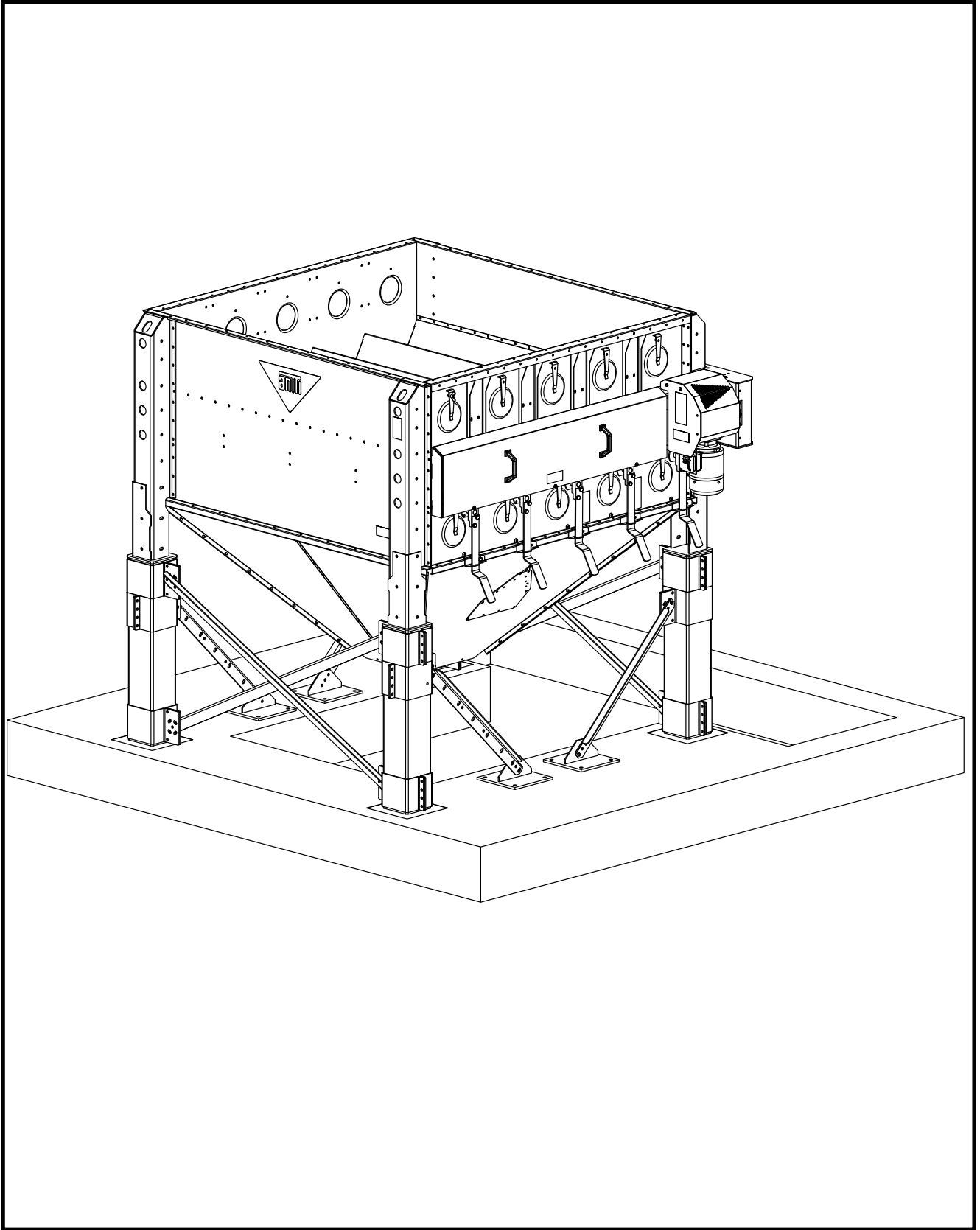
## Spare part drawing - A76565



Part	Item	Denominaton	Dwg.no.	Pcs.	Weight
1	A70535	DRYER LEG BIND 3W/4W WM06 CE		24	4
2	A76562	LEGS SUPPORT A PROPER LENGTH L=1857 M21 CE		4	7
3	A70818	LEGS SUPPORT L=1000 WM06 CE		4	3,8
4	A76563	DRYER LEG WELDED BIND M21 CE		4	8,2
5	102520	BOLT HEX ZN 8.8 12X35 AM DIN933		126	
6	111560	WASHER M 12 DIN125 ZN		252	
7	110570	NUT M12 ZN8 DIN934		126	
8	131010	EXPANDER BOLT KA 16X140-145		16	

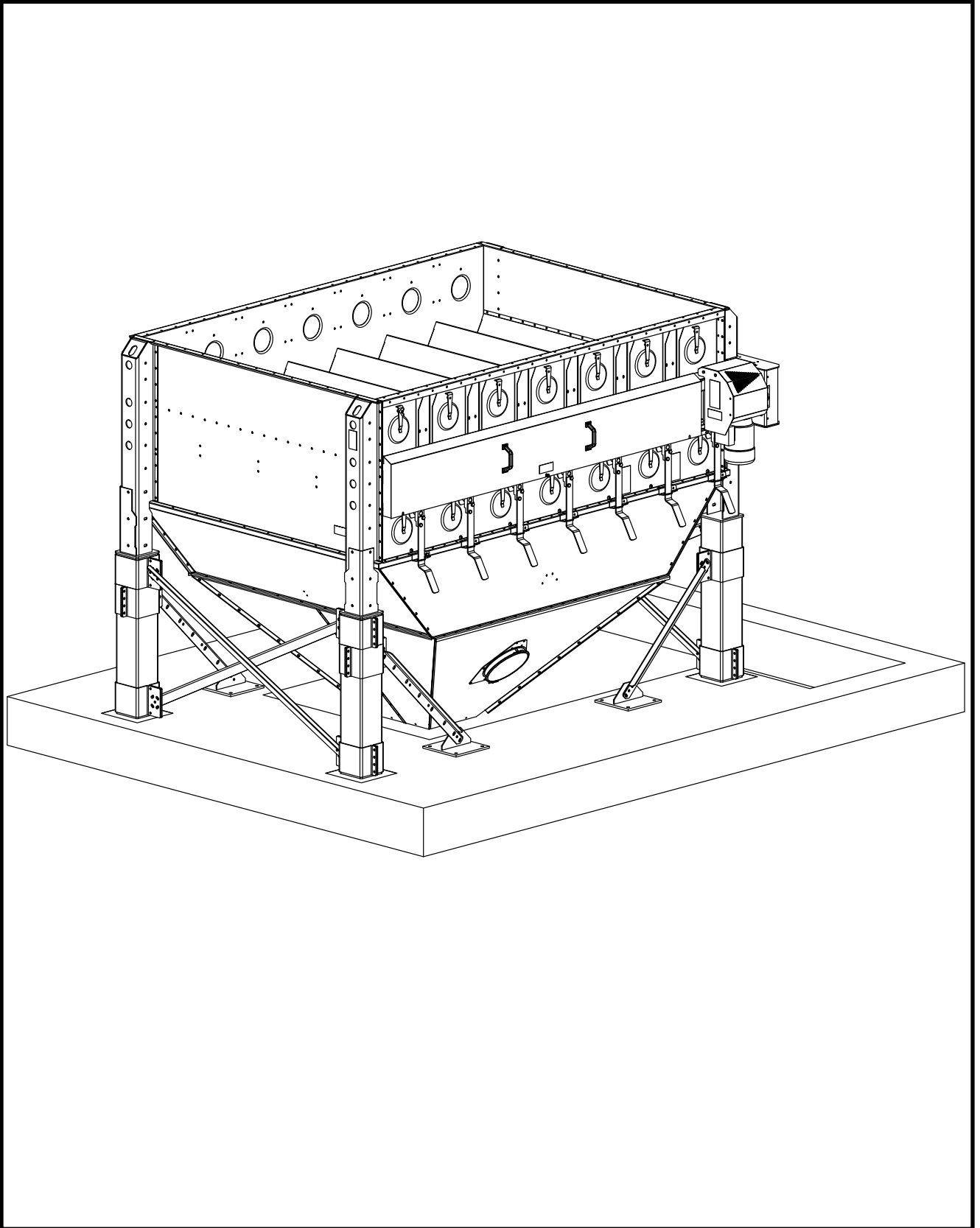


2W



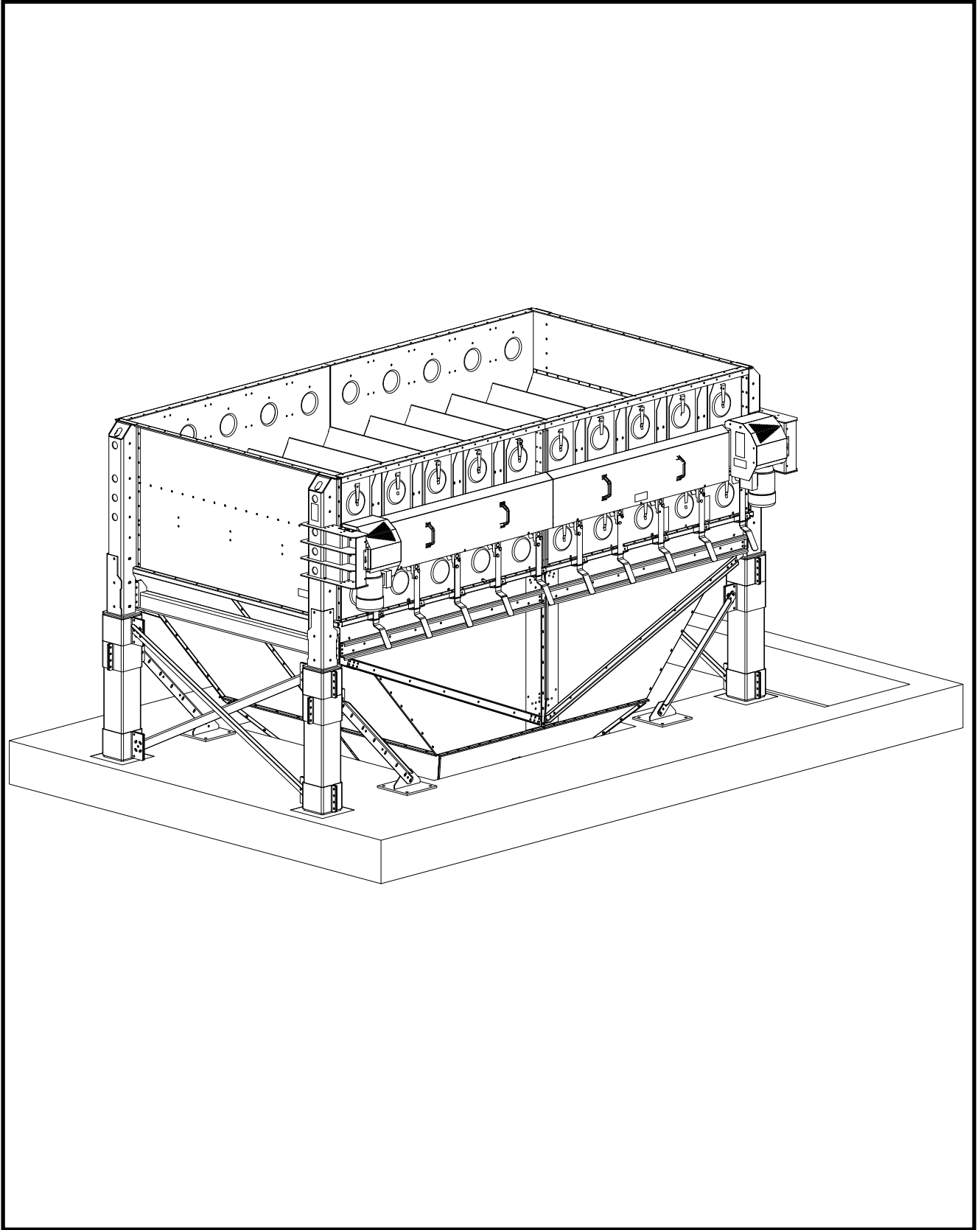


3W





4W





---

## EU Declaration of Conformity

**ANTTI-TEOLLISUUS OY**  
Koskentie 89  
FI-25340 KANUNKI; SALO  
Tel.: +358 (0)2 7744700

declares that

**SUPPORTS FOR THE LEGS L=1000; 2W, 3W, 4W**

conforms with the provisions of the following directives:

- **Machine Directive 2006/42/EC**

**Salo 01.04.2020**

**Kalle Isotalo**  
Managing Director