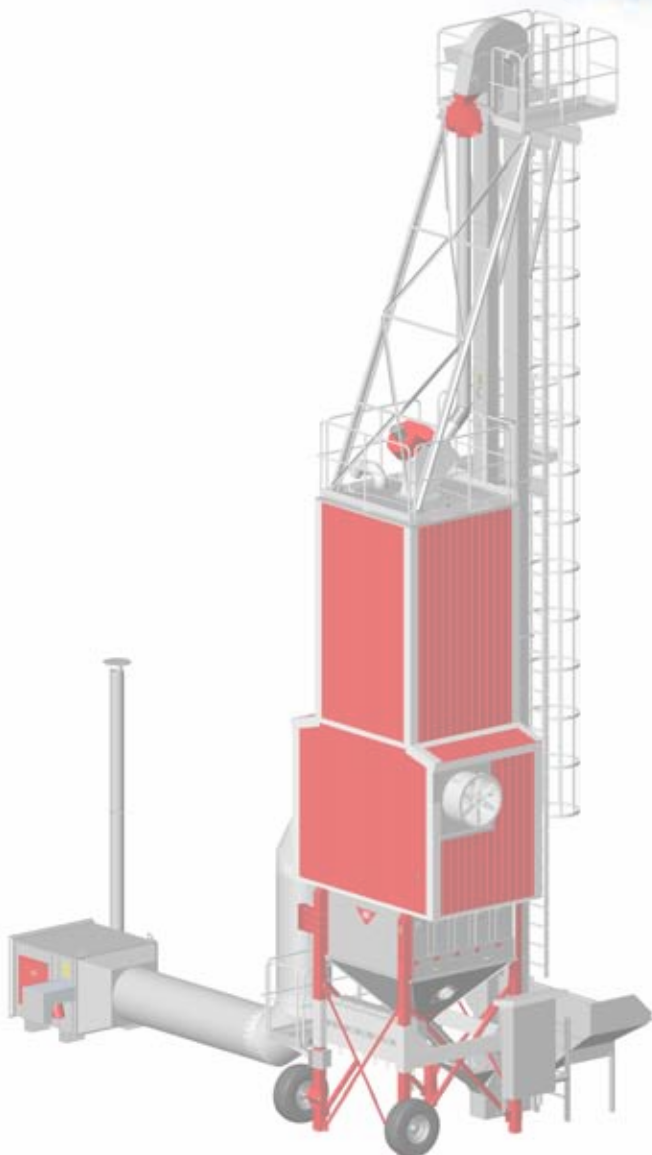




Installation and Operating Instructions

ANTTI GRAIN DRYER
Antti Mobile Dryer
MOBILE M20

408117 (en)



ANTTI-TEOLLISUUS OY

Koskentie 89

FI-25340 Kanunki, Salo

Tel. +358 2 774 4700

E-mail: antti@antti-teollisuus.fi

www.antti-teollisuus.fi

01-2020



CONTENTS

ANTTI MOBILE DRYER MOBILE M20	4
Model-specific spare parts drawings for support frames	5
Spare part drawing 2W	5
Spare part drawing 3W	6
Spare part drawing 4W	7
Principle drawing of circle installation (all models)	8
EU Declaration of Conformity	9



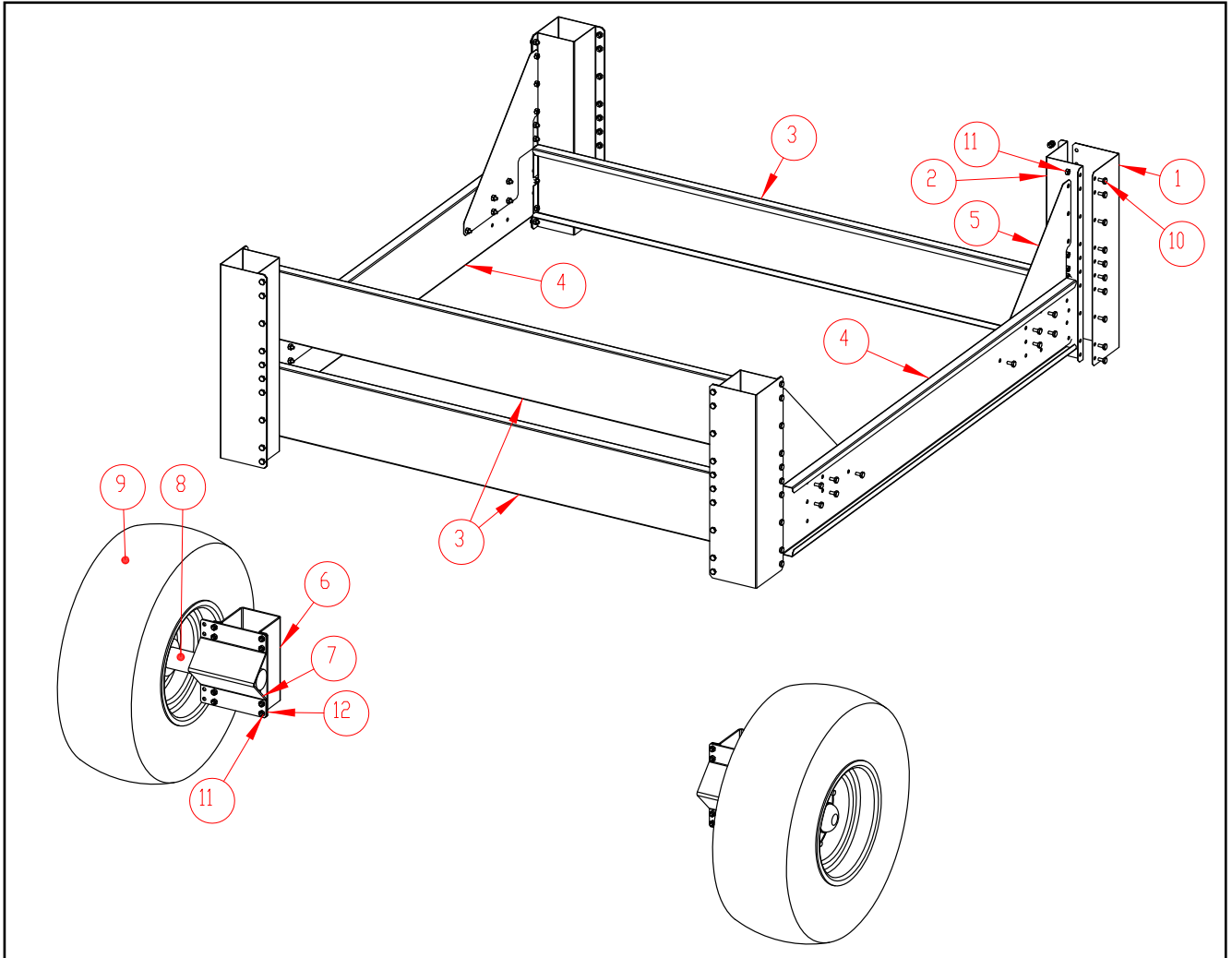
ANTTI MOBILE DRYER MOBILE M20

This manual deals with furnishing of a mobile dryer

The configuration of the drying machinery is described in more detail in the manual of Plug & Dry dryers and model-specific instructions for the machineries.

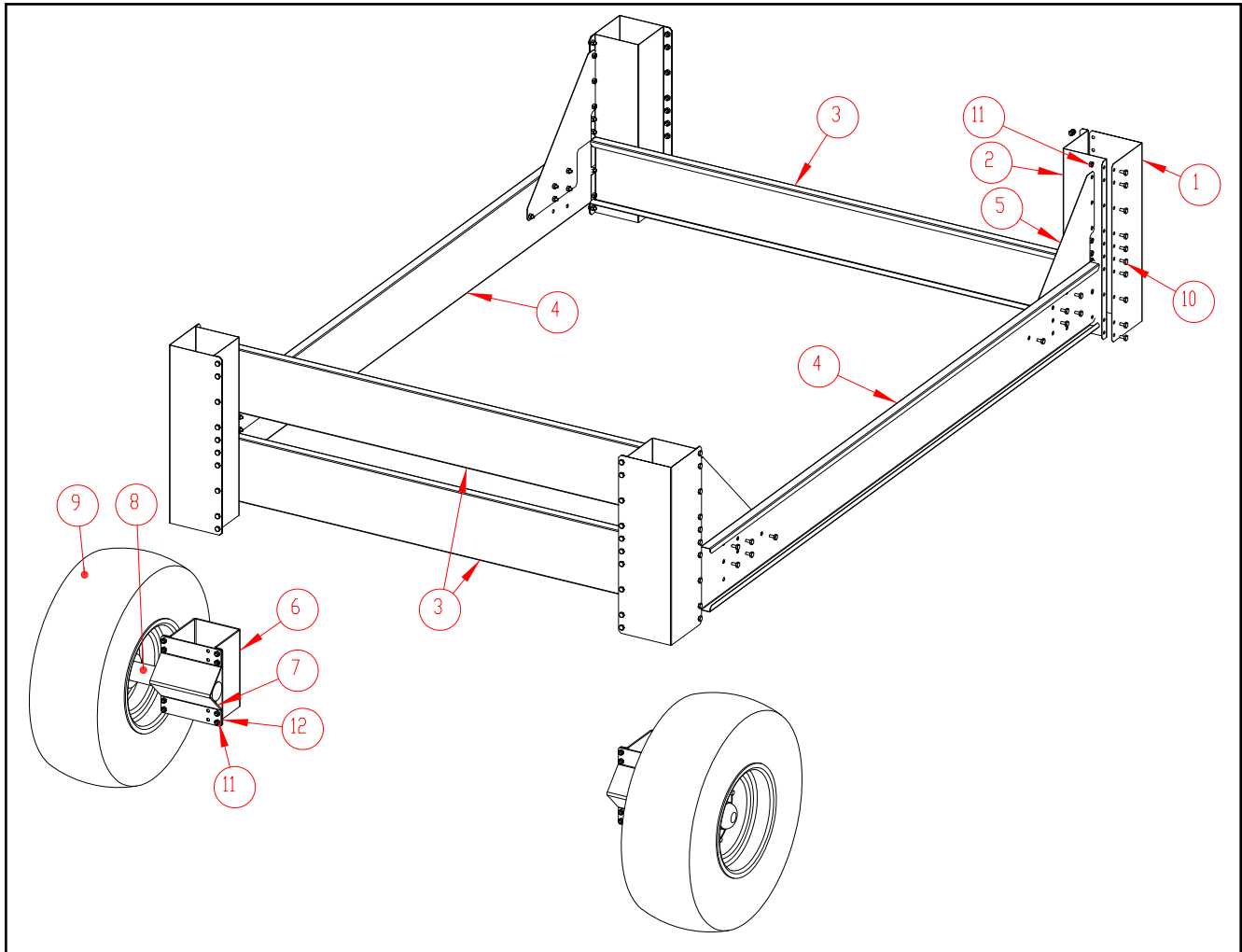
Model-specific spare parts drawings for support frames

Spare part drawing 2W



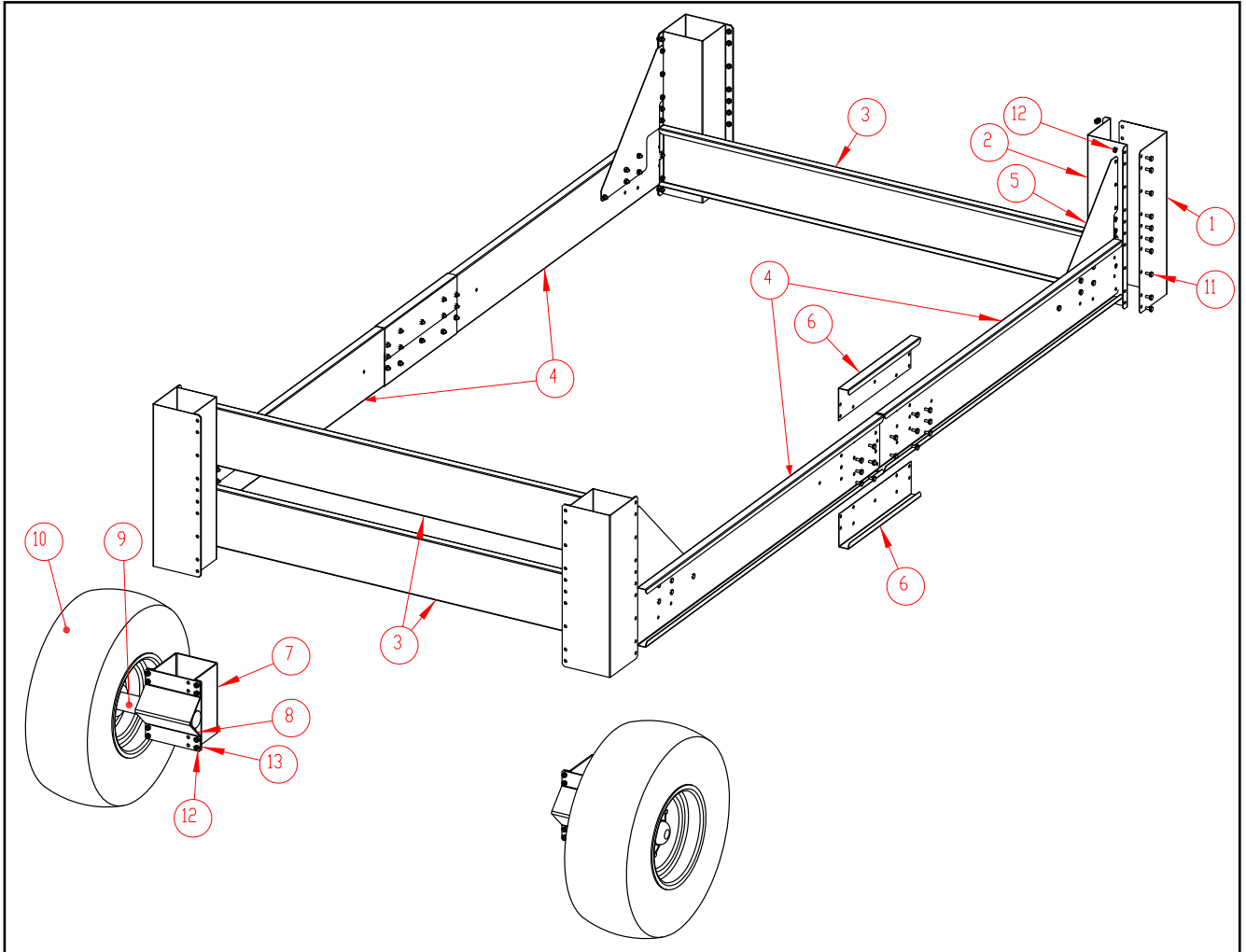
Part	Item	Denomination	Pcs	Weight
1	A76360	LEGS CRIB VERTICAL BRACKET 2W M20	4	2,9
2	A76361	LEGS CRIB VERTICAL BRACKET 2W M20	4	2,8
3	A76362	LEGS CRIB END BEAM 2W M20	3	8,8
4	A76363	LEGS CRIB SIDE BEAM 2W M20	2	8,1
5	A76364	JALAT KEHÄ NURKKATUKI 2W 3W 4W M20	4	1,4
6	A76374	WAGON WHEEL HUB BRACKET 2W 1 M20	2	5,5
7	A76375	WAGON WHEEL HUB BRACKET 2W 3W 4W 2 M20	2	3,5
8	111450	AXLE HUB "NORAMAA" 1253FAA706160 D70/2050KG	2	22
9	111470	WHEEL WITH RIM "NORAMAA" WT11,5/80-15,3	2	30,5
10	102200	BOLT HEX ZN 8.8 10X20 AM DIN933	100	
11	110560	NUT M10 ZN 8 DIN934	116	
12	102210	BOLT HEX ZN 8.8 10X25 AM DIN933	16	

Spare part drawing 3W



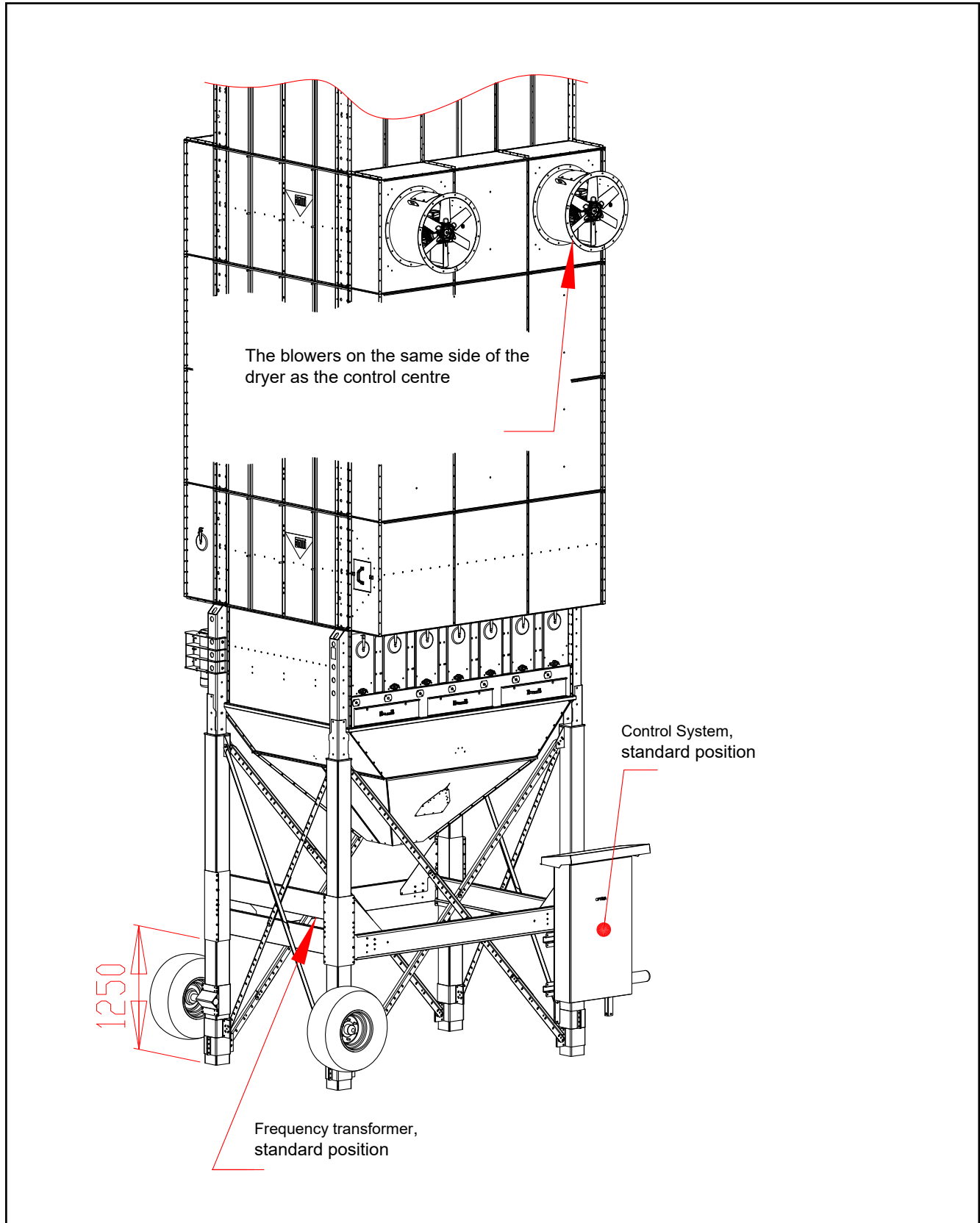
Part	Item	Denomination	Pcs.	Weight
1	A76365	LEGS CRIB VERTICAL BRACKET 3W 4W M20	4	3,5
2	A76366	LEGS CRIB VERTICAL BRACKET 3W 4W M20	4	3,5
3	A76367	LEGS CRIB END BEAM 3W 4W M20	3	8,9
4	A76368	LEGS CRIB SIDE BEAM 3W M20	2	12
5	A76364	LEGS CRIB CORNER SUPPORT 2W 3W 4W M20	4	1,4
6	A76376	WAGON WHEEL HUB BRACKET 3W 4W 1 M20	2	5,5
7	A76375	WAGON WHEEL HUB BRACKET 2W 3W 4W 2 M20	2	3,5
8	111450	AXLE HUB "NORAMAA" 1253FAA706160 D70/2050KG	2	22
9	111470	WHEEL WITH RIM "NORAMAA" WT11,5/80-15,3	2	30,5
10	102200	BOLT HEX ZN 8.8 10X20 AM DIN933	100	
11	110560	NUT M10 ZN 8 DIN934	116	
12	102210	BOLT HEX ZN 8.8 10X25 AM DIN933	16	

Spare part drawing 4W



Part	Item	Denomination	Pcs.	Weight
1	A76365	LEGS CRIB VERTICAL BRACKET 3W 4W M20	4	3,5
2	A76366	LEGS CRIB VERTICAL BRACKET 3W 4W M20	4	3,5
3	A76367	LEGS CRIB END BEAM 3W 4W M20	3	8,9
4	A76363	LEGS CRIB SIDE BEAM 2W M20	4	8,1
5	A76364	LEGS CRIB CORNER SUPPORT 2W 3W 4W M20	4	1,4
6	A76369	LEGS CRIB EXTENSION 4W M20	4	1,4
7	A76376	WAGON WHEEL HUB BRACKET 3W 4W 1 M20	2	5,5
8	A76375	WAGON WHEEL HUB BRACKET 2W 3W 4W 2 M20	2	3,5
9	111450	AXLE HUB "NORAMAA" 1253FAA706160 D70/2050KG	2	22
10	111470	WHEEL WITH RIM "NORAMAA" WT11,5/80-15,3	2	30,5
11	102200	BOLT HEX ZN 8.8 10X20 AM DIN933	128	
12	110560	NUT M10 ZN 8 DIN934	144	
13	102210	BOLT HEX ZN 8.8 10X25 AM DIN933	16	

Principle drawing of circle installation (all models)





Translation of original

EU Declaration of Conformity

ANTTI-TEOLLISUUS OY
Koskentie 89
FI-25340 KANUNKI; SALO
Tel.: +358 (0)2 7744700

declares that

ANTTI MOBILE DRYER MOBILE M20
Valid for machines from serial number MT44500

conforms with the provisions of the following directives:

- **Machine Directive 2006/42/EC**

Kuusjoki 10.01.2020

Kalle Isotalo
Managing Director

Compiler of technical file

ANTTI-TEOLLISUUS OY
Koskentie 89
25340 KANUNKI, SALO