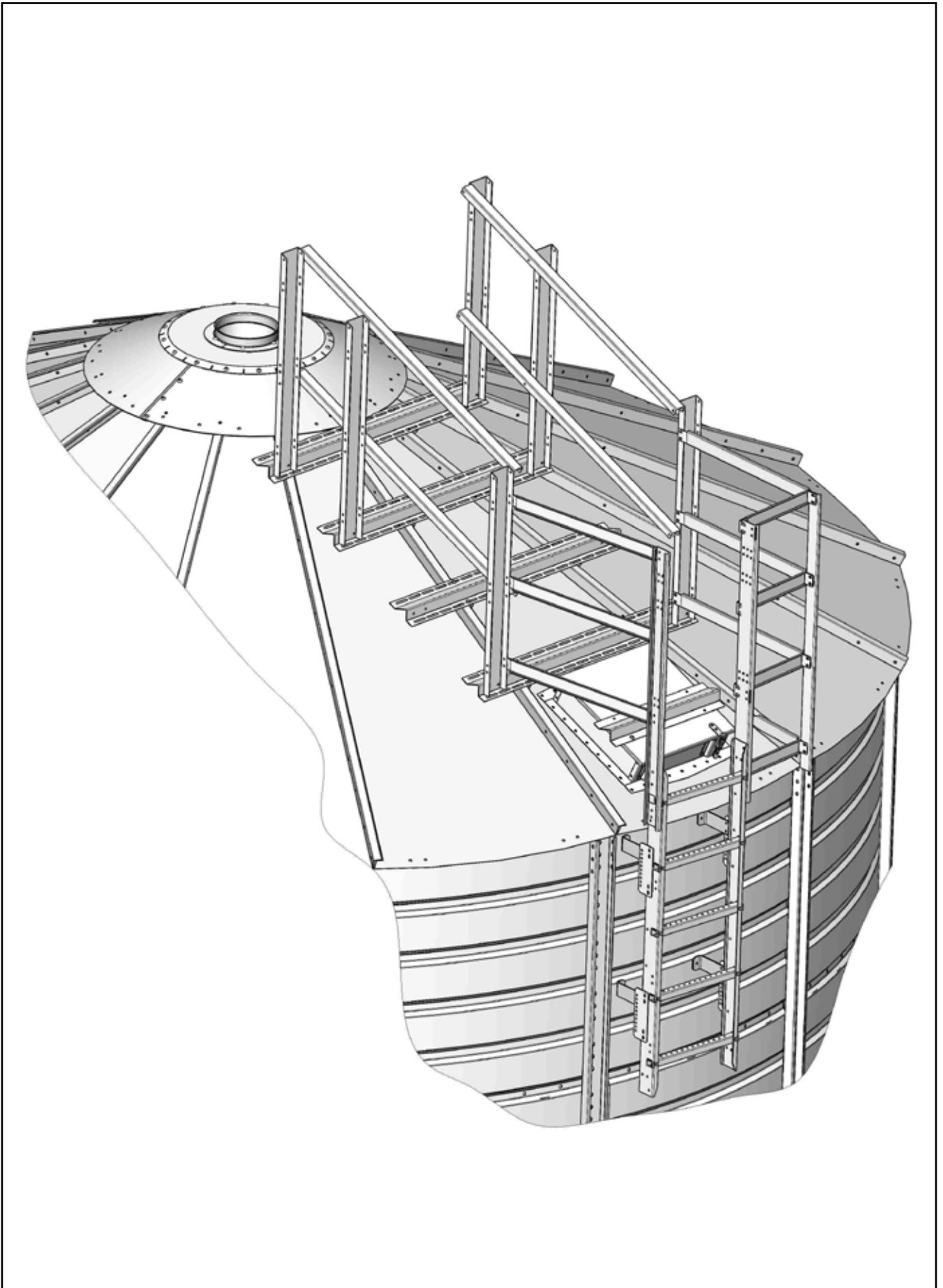
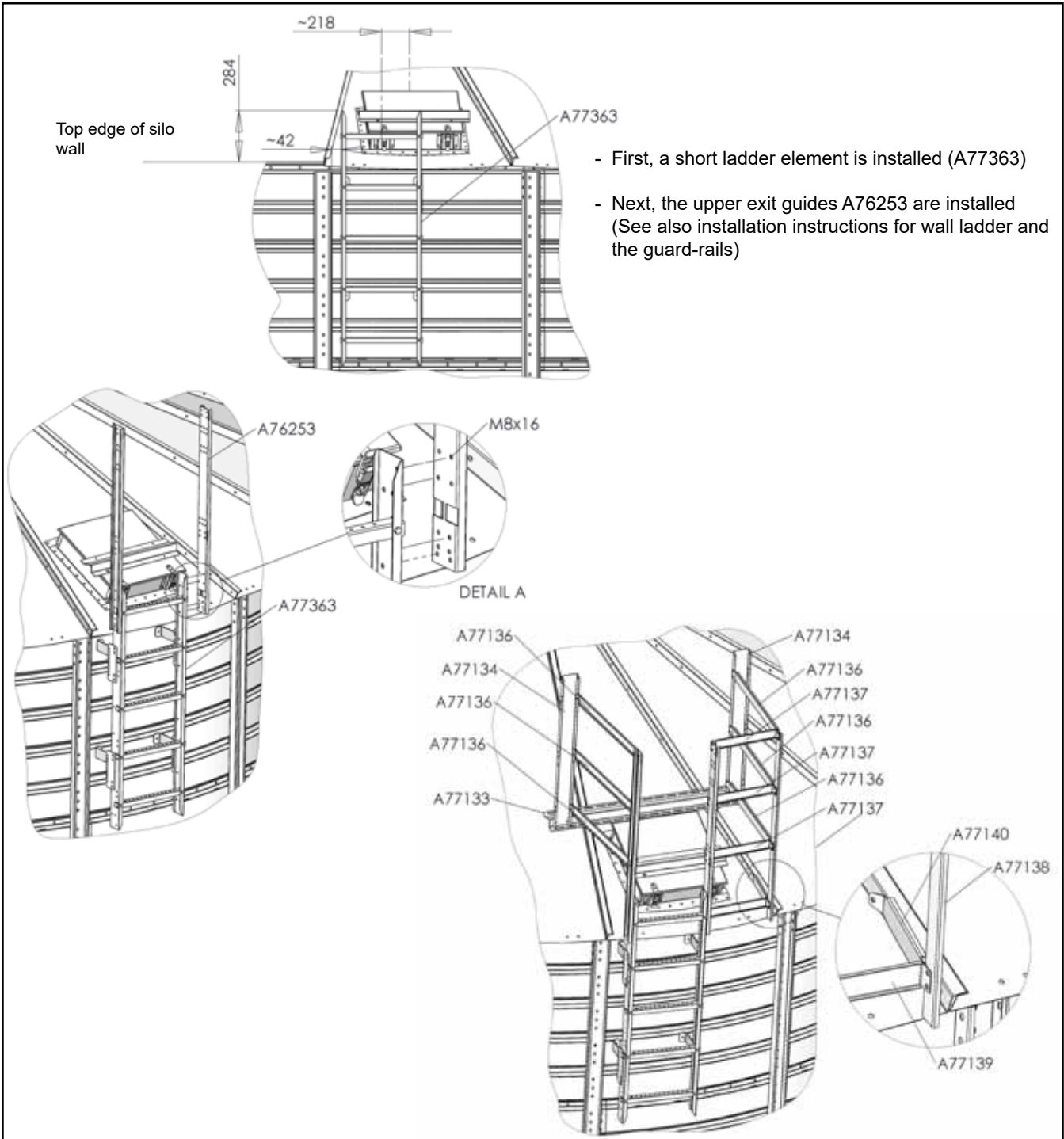
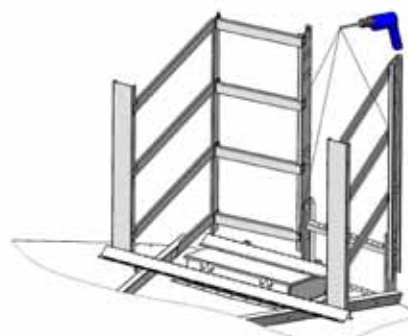


A77147 GRAIN SILO ROOF LADDERS D5,3 M22 ***





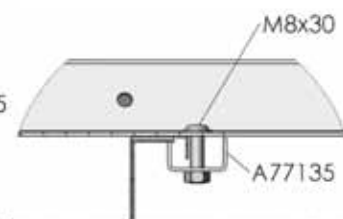
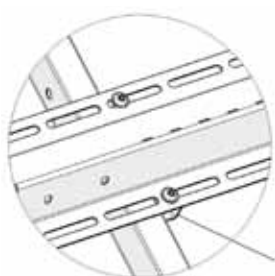
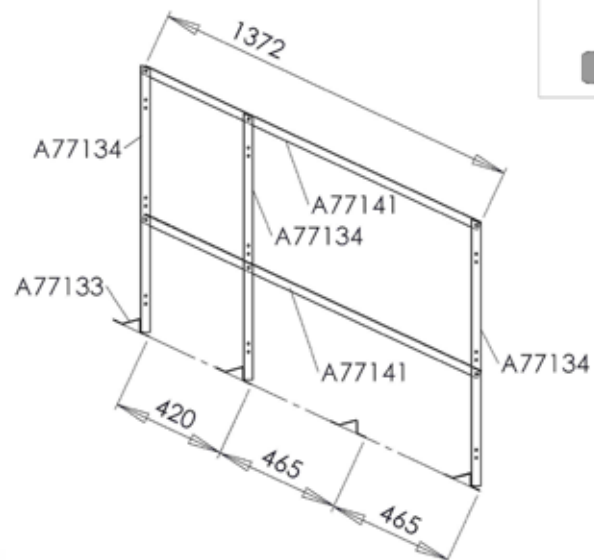
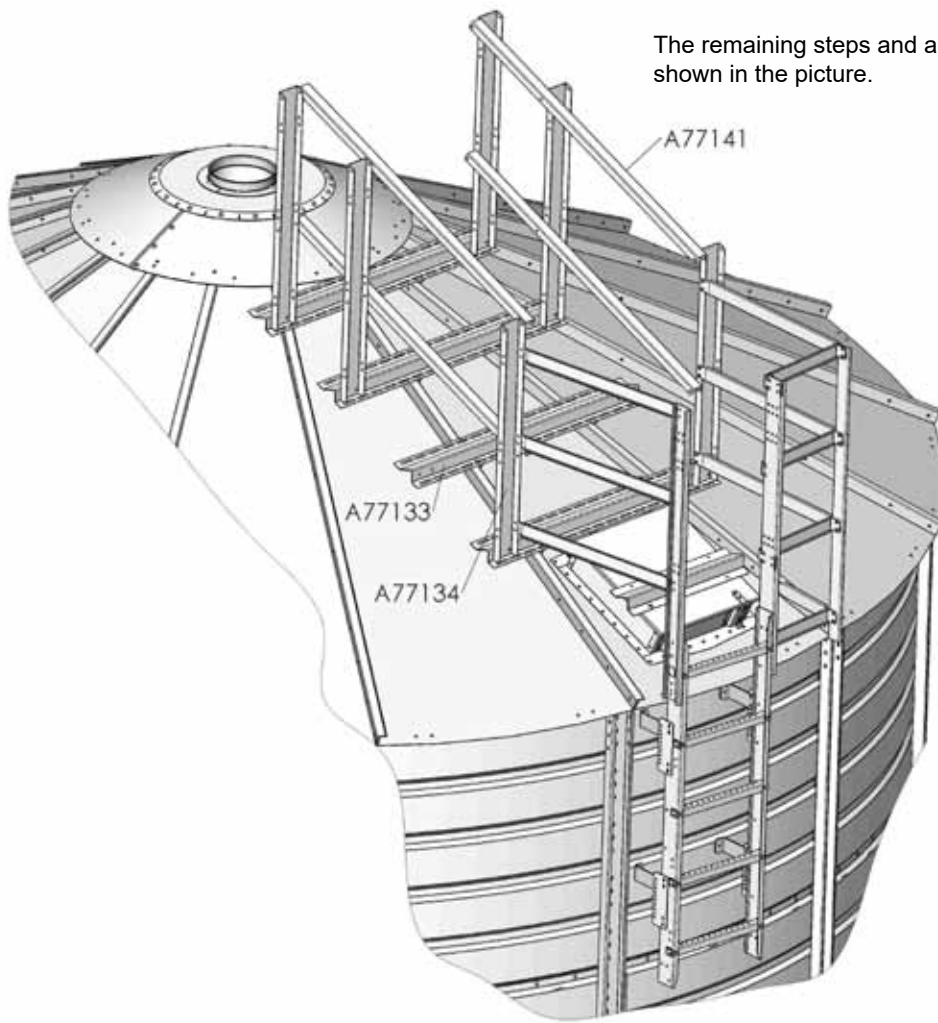
Install the first roof ladder rails as shown in the picture.



Item	Denomination	Pcs
A77363	LADDER SHORT L=1450 M22	1
A77133	GRAIN SILO ROOF LADER STEP M22	4
A77134	GRAIN SILO ROOF LADER POST M22	6
A77135	GRAIN SILO ROOF LADER FASTENER M22	8
A77141	GRAIN SILO ROOF LADDER RAIL D5,3 M22	4
104261	SCREW COACH SCREW ZN 10.9 8X16 AM ISO 7380-2	25
104264	SCREW COACH SCREW ZN 10.9 8X30 AM ISO 7380-2	17
110540	NUT M8 ZN 8 DIN934	42
A77146P	GRAIN SILO ROOF LADDER RAIL PACK. M22	1
A77136	GRAIN SILO ROOF LADER RAIL SHORT A M22	6
A77137	GRAIN SILO ROOF LADER RAIL SHORT B M22	3
A77138	GRAIN SILO ROOF LADER VERTICAL RAIL M22	1
A77139	GRAIN SILO ROOF LADER RAIL SHORT C M22	1
A77140	GRAIN SILO ROOF LADER BRACKETM22	1
104261	SCREW COACH SCREW ZN 10.9 8X16 AM ISO 7380-2	37
110540	NUT M8 ZN 8 DIN934	37

A77146P

The remaining steps and railing parts are installed as shown in the picture.



Item	Denomination	Pcs
A77363	LADDER SHORT L=1450 M22	1
A77133	GRAIN SILO ROOF LADER STEP M22	4
A77134	GRAIN SILO ROOF LADER POST M22	6
A77135	GRAIN SILO ROOF LADER FASTENER M22	8
A77141	GRAIN SILO ROOF LADDER RAIL D5,3 M22	4
104261	SCREW COACH SCREW ZN 10.9 8X16 AM ISO 7380-2	25
104264	SCREW COACH SCREW ZN 10.9 8X30 AM ISO 7380-2	17
110540	NUT M8 ZN 8 DIN934	42
A77146P	GRAIN SILO ROOF LADDER RAIL PACK. M22	1
A77136	GRAIN SILO ROOF LADER RAIL SHORT A M22	6
A77137	GRAIN SILO ROOF LADER RAIL SHORT B M22	3
A77138	GRAIN SILO ROOF LADER VERTICAL RAIL M22	1
A77139	GRAIN SILO ROOF LADER RAIL SHORT C M22	1
A77140	GRAIN SILO ROOF LADER BRACKETM22	1
104261	SCREW COACH SCREW ZN 10.9 8X16 AM ISO 7380-2	37
110540	NUT M8 ZN 8 DIN934	37

A77146P