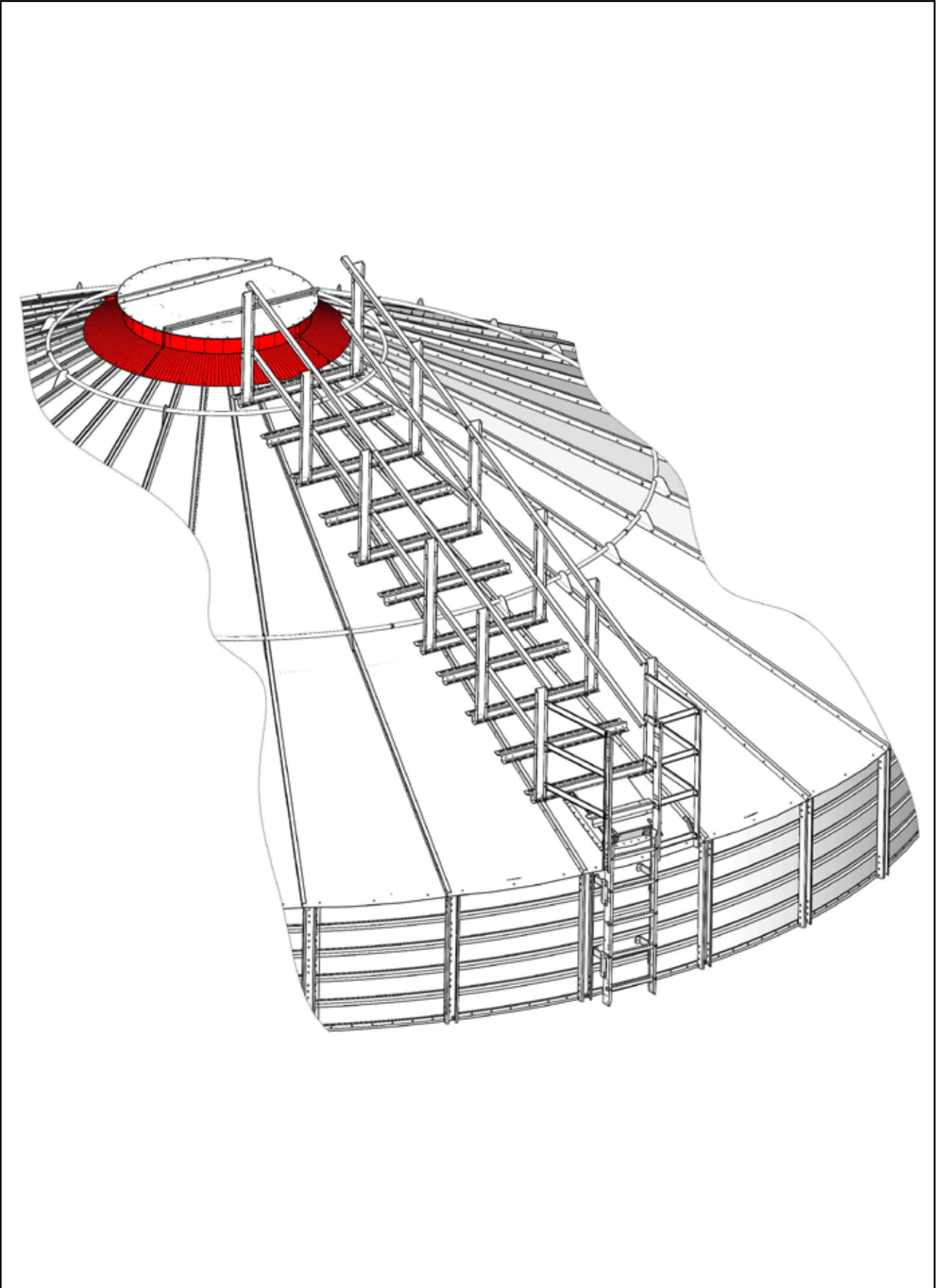
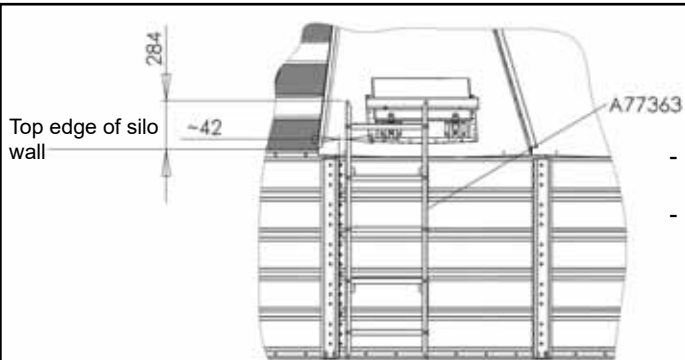
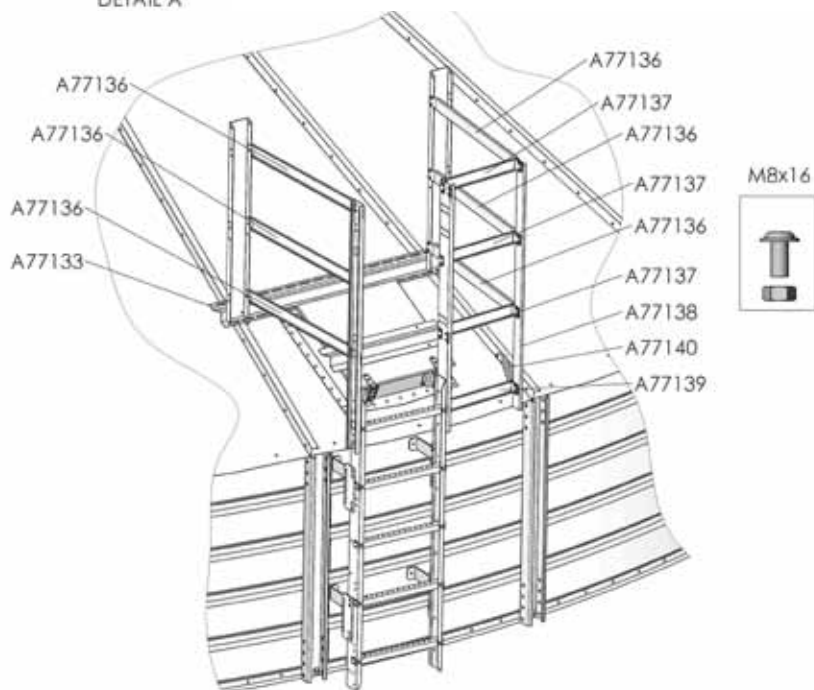
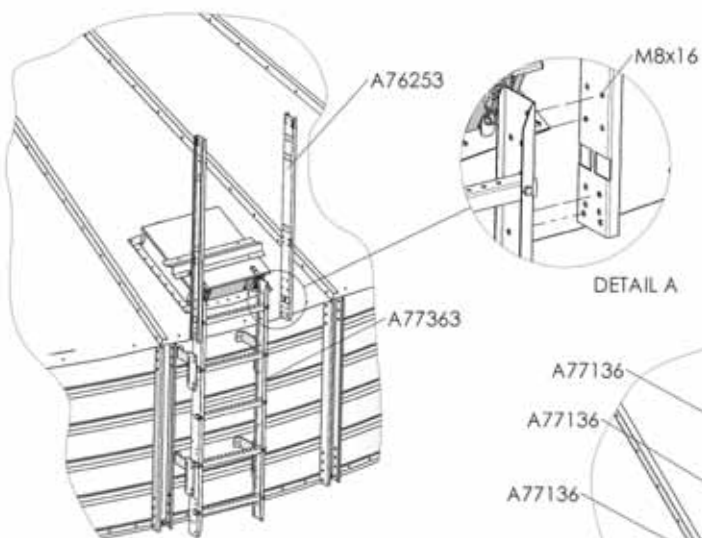


A77003 GRAIN SILO ROOF LADDERS D12,1 M22 ***

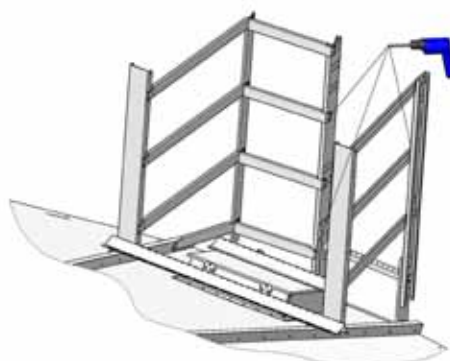




- First, a short ladder element is installed (A77363)
- Next, the upper exit guides A76253 are installed (See also installation instructions for wall ladder and the guard-rails)

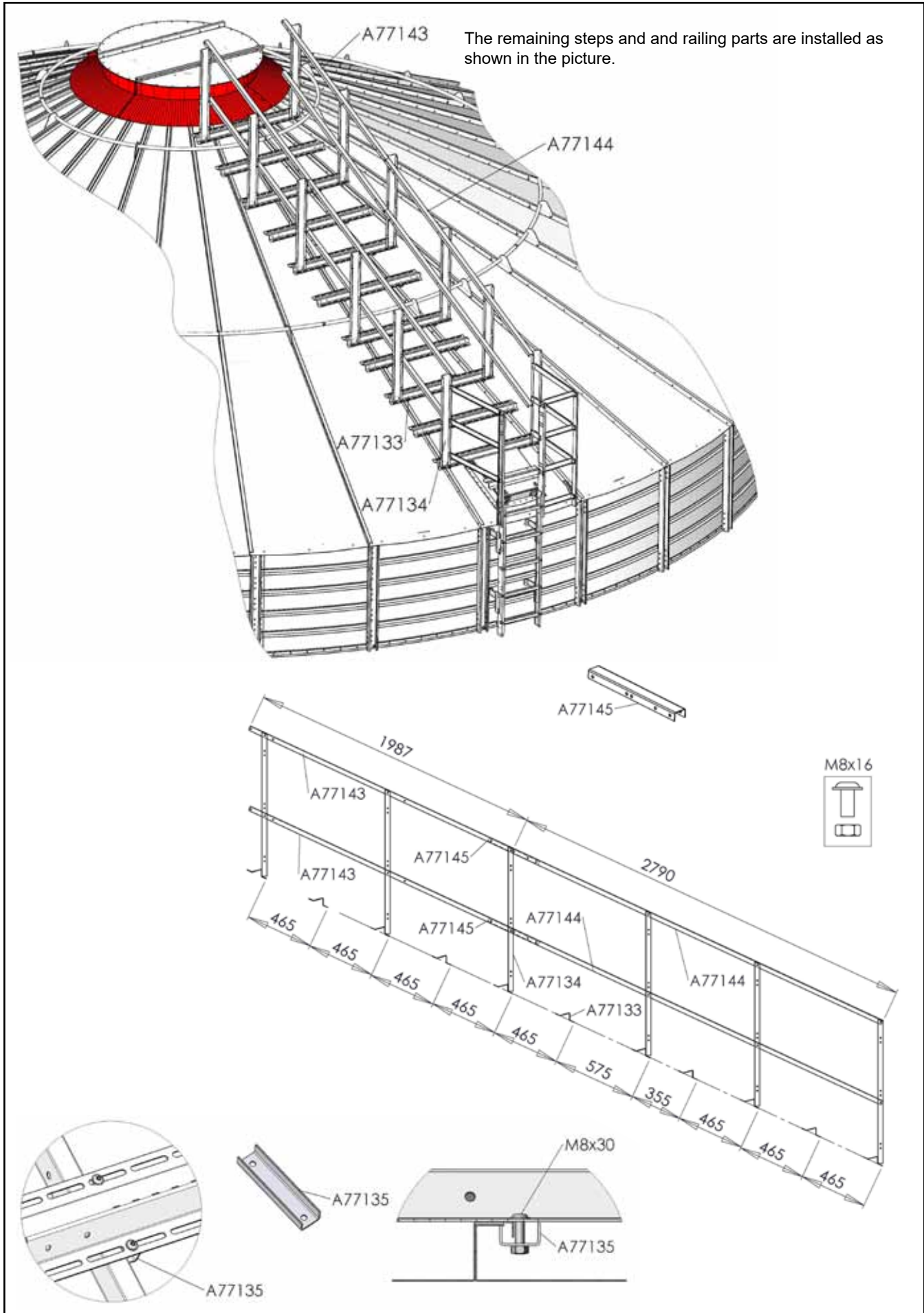


Install the first roof ladder rails as shown in the picture.



Item	Denomination	Pcs
A77363	LADDER SHORT L=1450 M22	1
A77133	GRAIN SILO ROOF LADER STEP M22	11
A77134	GRAIN SILO ROOF LADER POST M22	12
A77135	GRAIN SILO ROOF LADER FASTENER M22	22
A77143	GRAIN SILO ROOF LADDER RAIL D10,6 M22	4
A77144	GRAIN SILO ROOF LADDER RAIL D12,1 M22	4
A77145	GRAIN SILO ROOF LADDER JOINT M22	4
104261	SCREW COACH SCREW ZN 10.9 8X16 AM ISO 7380-2	80
104264	SCREW COACH SCREW ZN 10.9 8X30 AM ISO 7380-2	46
110540	NUT M8 ZN 8 DIN934	126
A77146P	GRAIN SILO ROOF LADDER RAIL PACK. M22	1
A77136	GRAIN SILO ROOF LADER RAIL SHORT A M22	6
A77137	GRAIN SILO ROOF LADER RAIL SHORT B M22	3
A77138	GRAIN SILO ROOF LADER VERTICAL RAIL M22	1
A77139	GRAIN SILO ROOF LADER RAIL SHORT C M22	1
A77140	GRAIN SILO ROOF LADER BRACKETM22	1
104261	SCREW COACH SCREW ZN 10.9 8X16 AM ISO 7380-2	37
110540	NUT M8 ZN 8 DIN934	37

A77146P



Item	Denomination	Pcs
A77363	LADDER SHORT L=1450 M22	1
A77133	GRAIN SILO ROOF LADER STEP M22	11
A77134	GRAIN SILO ROOF LADER POST M22	12
A77135	GRAIN SILO ROOF LADER FASTENER M22	22
A77143	GRAIN SILO ROOF LADDER RAIL D10,6 M22	4
A77144	GRAIN SILO ROOF LADDER RAIL D12,1 M22	4
A77145	GRAIN SILO ROOF LADDER JOINT M22	4
104261	SCREW COACH SCREW ZN 10.9 8X16 AM ISO 7380-2	80
104264	SCREW COACH SCREW ZN 10.9 8X30 AM ISO 7380-2	46
110540	NUT M8 ZN 8 DIN934	126
A77146P	GRAIN SILO ROOF LADDER RAIL PACK. M22	1
A77136	GRAIN SILO ROOF LADER RAIL SHORT A M22	6
A77137	GRAIN SILO ROOF LADER RAIL SHORT B M22	3
A77138	GRAIN SILO ROOF LADER VERTICAL RAIL M22	1
A77139	GRAIN SILO ROOF LADER RAIL SHORT C M22	1
A77140	GRAIN SILO ROOF LADER BRACKETM22	1
104261	SCREW COACH SCREW ZN 10.9 8X16 AM ISO 7380-2	37
110540	NUT M8 ZN 8 DIN934	37

A77146P