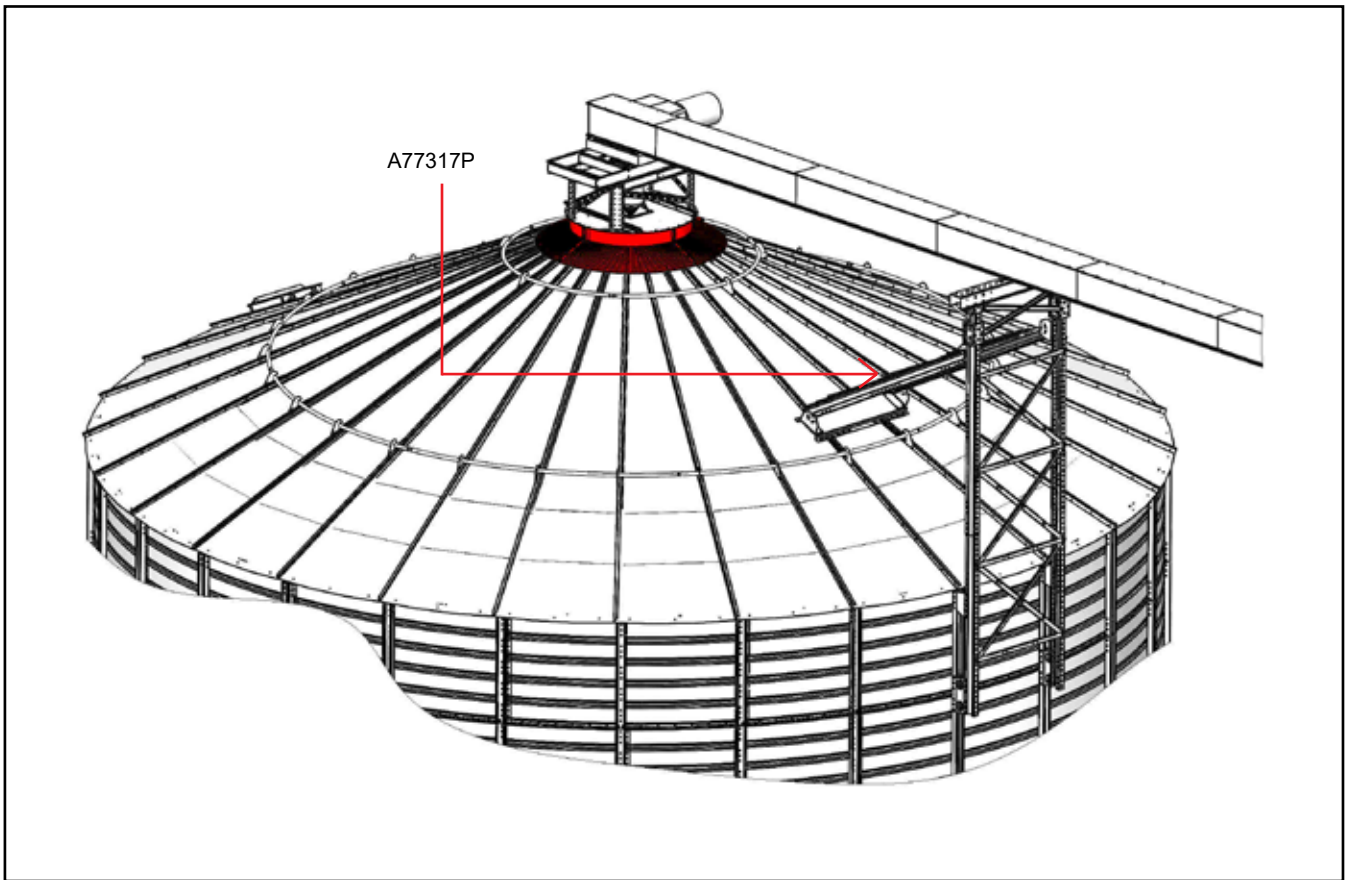
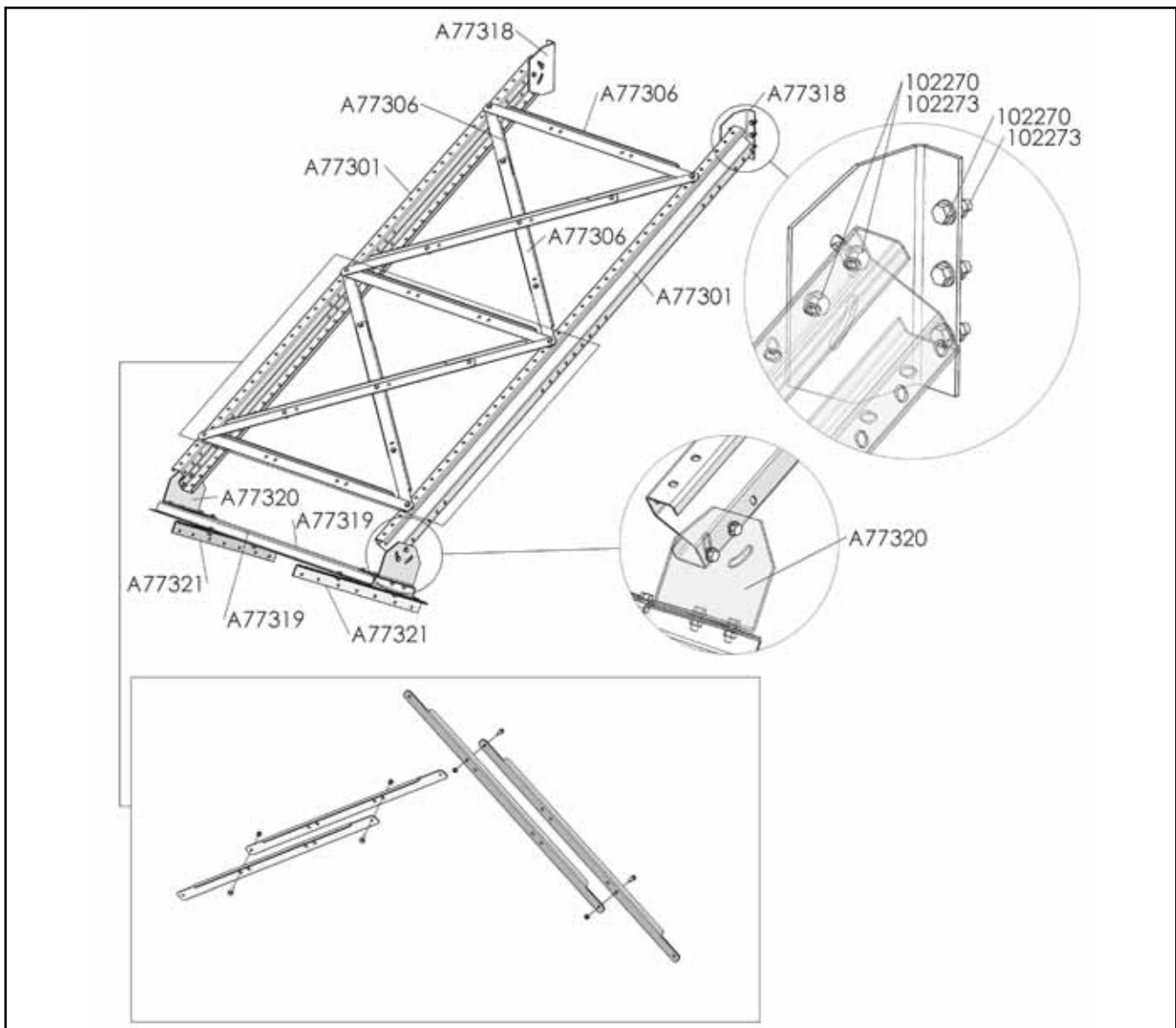


## CONVEYOR SUPPORT DIAGONAL A77317P



Note: The diagonal A77317P can only be used in a roof with beam structure.  
(Antti grain silos D10,6 and D12,1)

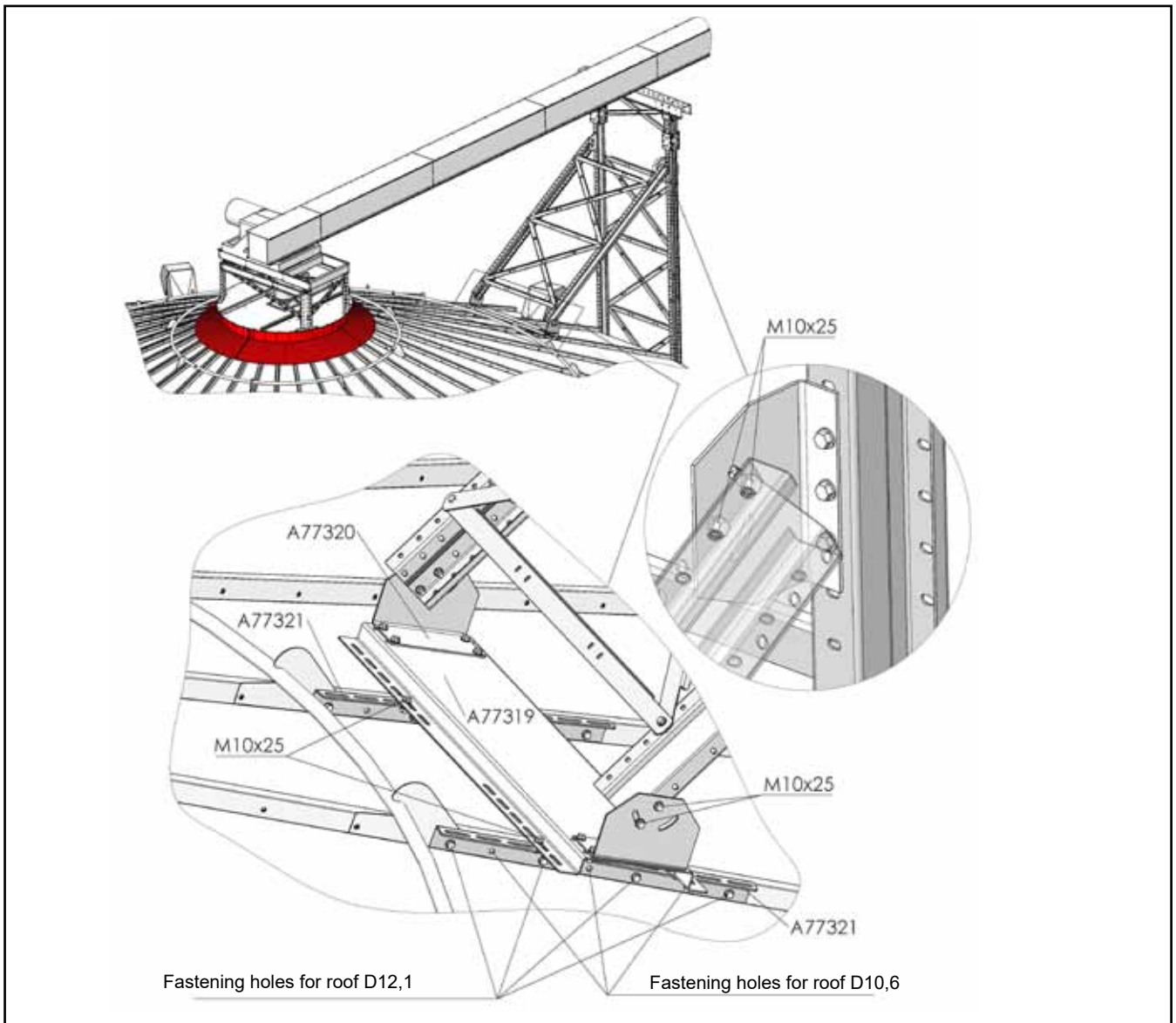
## Diagonal assembly



Item	Denomination	Pcs
A77301	CONVEYOR SUPPORT Z-PROFILE L=2491 M22	2
A77306	CONVEYOR SUPPORT DIAGONAL M22	11
A77318	CONVEYOR SUPPORT FASTENER M22 CE	2
A77319	CONVEYOR SUPPORT HORIZONTAL BEAM M22	1
A77320	CONVEYOR SUPPORT FASTENER M22	2
A77321	CONVEYOR SUPPORT FASTENER M22	2
102270	HEXAGON FLANGE BOLTS 10X25 ZN 8.8 DIN 6921	42
102273	HEX FLANGE NUT M10 ZN 8 DIN 6923	42

- The diagonal is assembled in accordance with the image.
- Fastenings with M10x25 8.8 flange screws.
- The number of fastening screws indicated in the image must be adhered to.
- The M10 fastening screws must be tightened to 50 Nm.

## Fastening the diagonal to roof and conveyor support



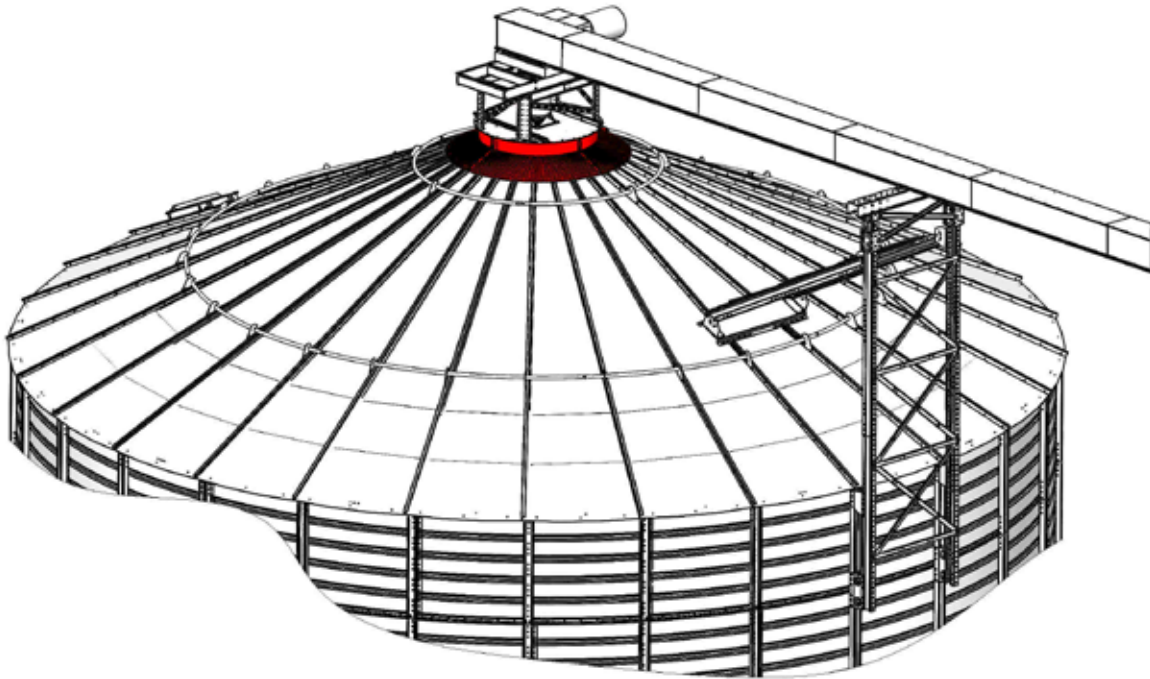
Item	Denomination
A77319	CONVEYOR SUPPORT HORIZONTAL BEAM M22 CE
A77320	CONVEYOR SUPPORT FASTENER M22 CE
A77321	CONVEYOR SUPPORT FASTENER M22 CE
102270	HEXAGON FLANGE BOLTS 10X25 ZN 8.8 DIN 6921
102273	HEX FLANGE NUT M10 ZN 8 DIN 6923

- The diagonal is fastened to roof and conveyor support as shown in the image.
- Fastenings with M10x25 8.8 flange screws.
- The number of fastening screws indicated in the image must be adhered to.
- The M10 fastening screws must be tightened to 50 Nm.

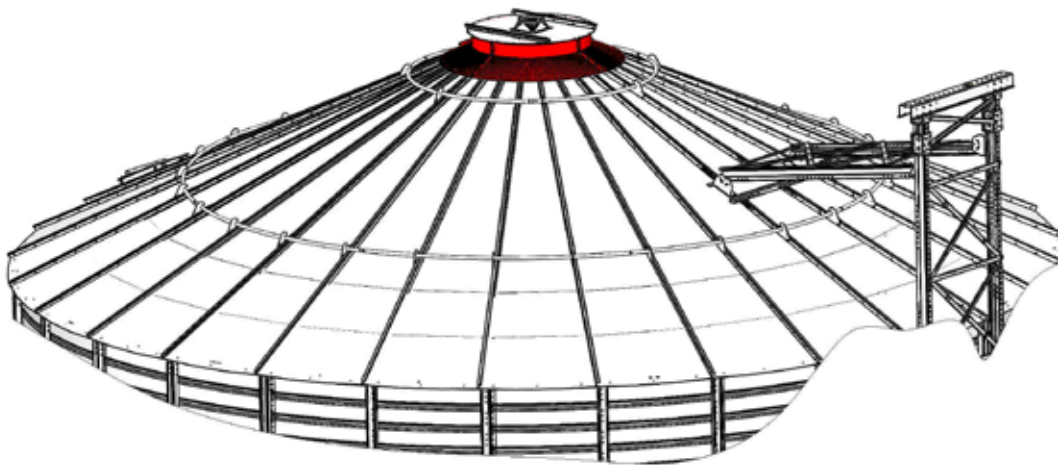
Note: The diagonal A77317P can only be used in a roof with beam structure.  
(Antti grain silos D10,6 and D12,1)

## Diagonal position; Silo D10,6m

Diagonal position; conveyor support adjusted high (Silo D10,6)



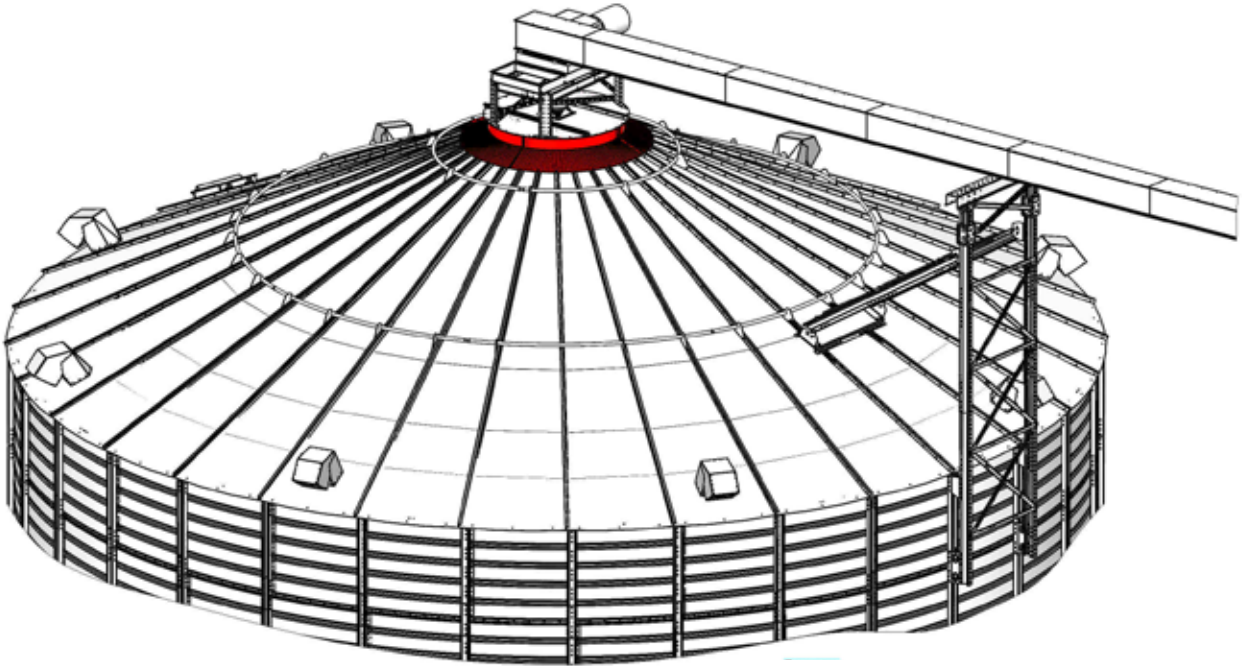
Diagonal position; conveyor support adjusted low (Silo D10,6)



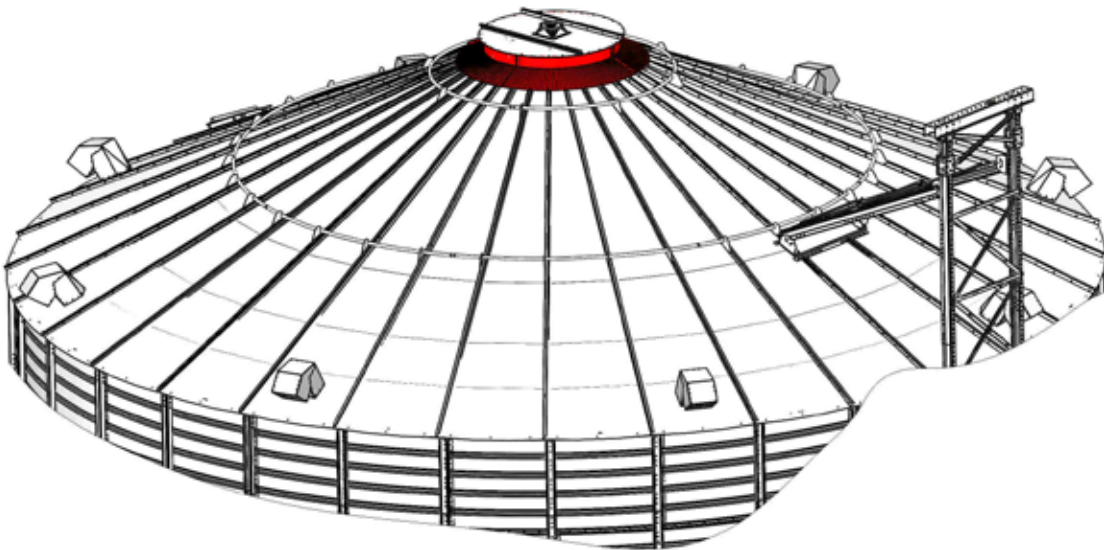
- In silo D10,6, the diagonal is fastened to the roof slightly above the lower pipe circle.
- We do not recommend installing the diagonal at a smaller angle than indicated in the image.
- If the angle is too small, the Z beams of the diagonals must be shortened.

## Diagonal position; Silo D12,1m

Diagonal position; conveyor support adjusted high (Silo D12,1)



Diagonal position; conveyor support adjusted low (Silo D12,1)



- In silo D12,1, the diagonal is fastened to the roof slightly below the lower pipe circle.
- We do not recommend installing the diagonal at a smaller angle than indicated in the image.
- If the angle is too small, the Z beams of the diagonals must be shortened.