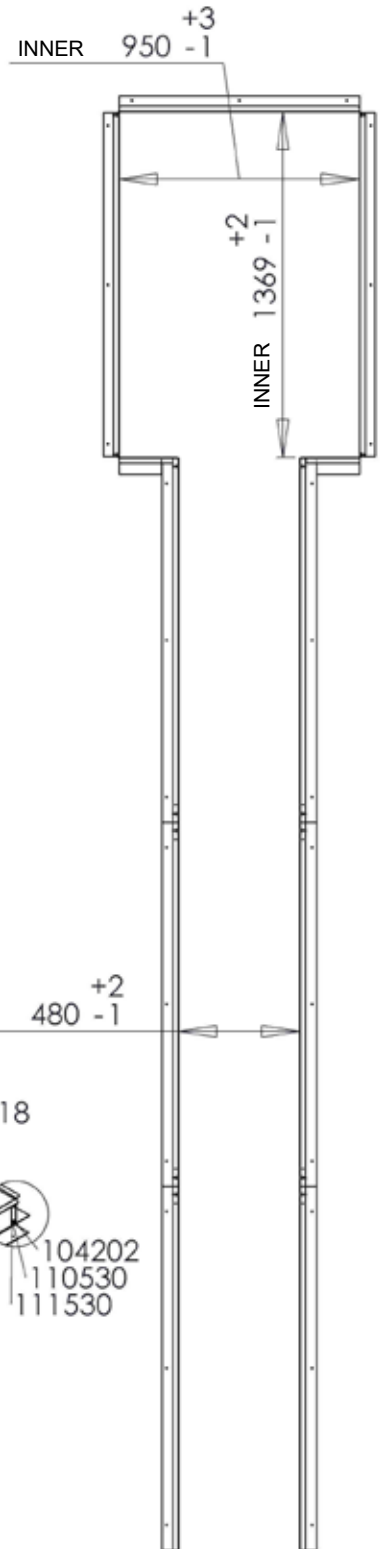
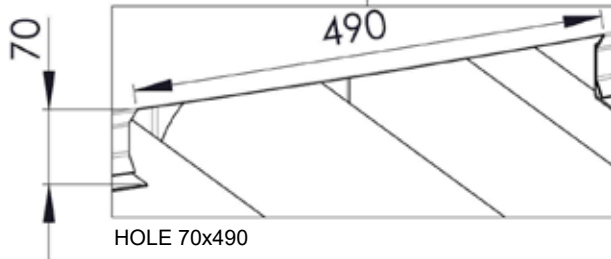
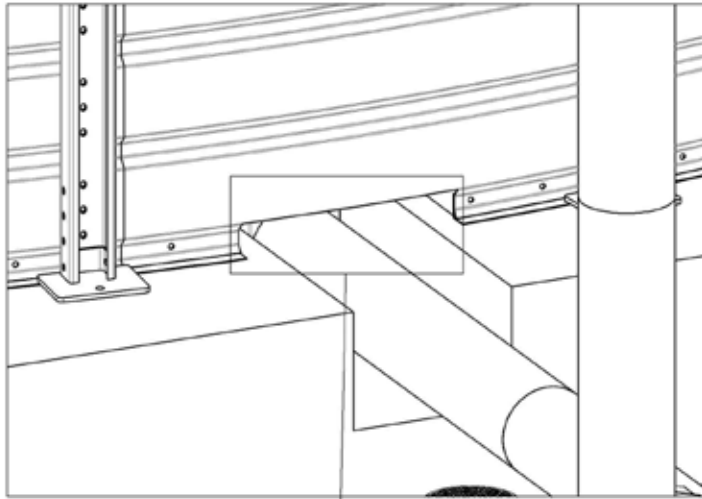
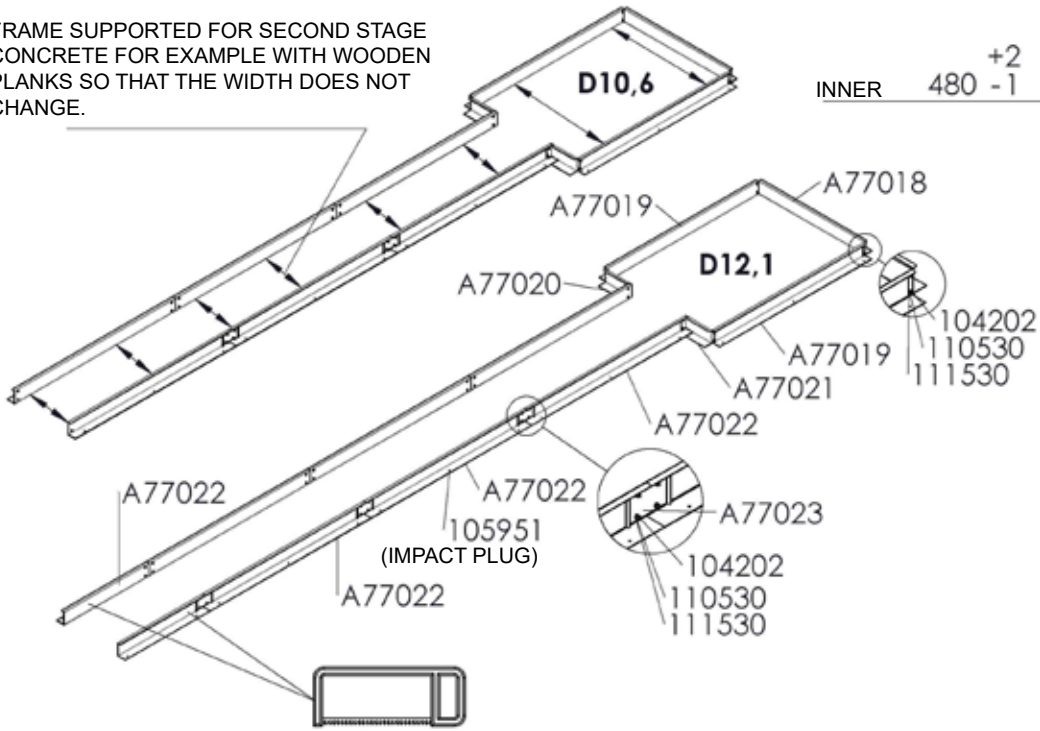


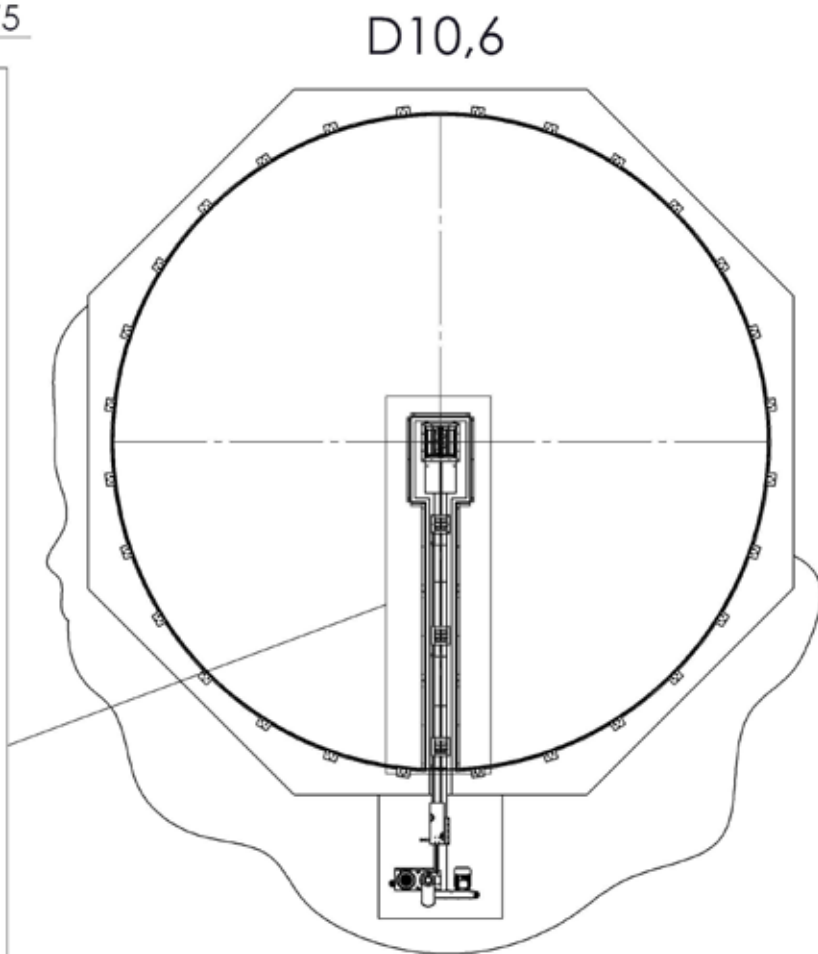
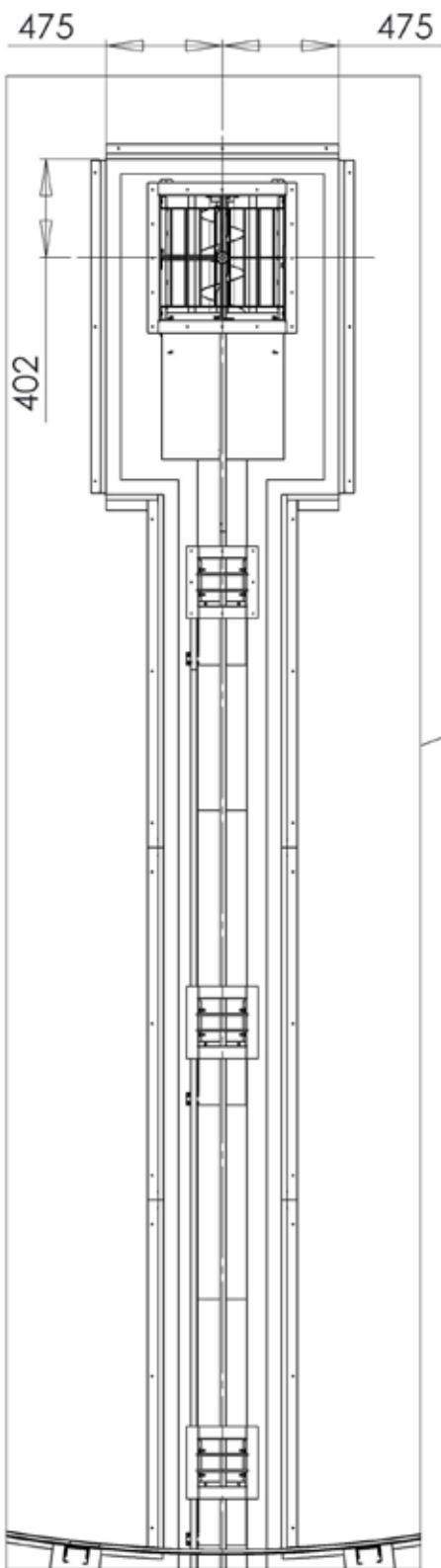
## CONCRETE TROUGH FRAME A76967P

BEFORE INSTALLING THE FRAME, YOU NEED TO CUT THE SILO'S SHELL OPENING AT THE BOTTOM EDGE. CENTRALLY ALONG THE TROUGH.



FRAME SUPPORTED FOR SECOND STAGE CONCRETE FOR EXAMPLE WITH WOODEN PLANKS SO THAT THE WIDTH DOES NOT CHANGE.





Item	Denomination	Pcs
A77018	COVER FRAME PART 1 M22	1
A77019	COVER FRAME PART 2 M22	2
A77020	COVER FRAME PART 3 M22	1
A77021	COVER FRAME PART 4 M22	1
A77022	COVER FRAME PART 5 M22	8
A77023	COVER FRAME PART 6 M22	6
104202	COACH SCREW CUP HEAD M6x25 DIN 7991	38
111530	WASHER M 6 DIN125 ZN	38
110530	NUT M6 ZN 8 DIN934	38
105951	IMPACT PLUG 5X35 ZN	35

TOP VIEW

## INSTALLATION PRINCIPLE

