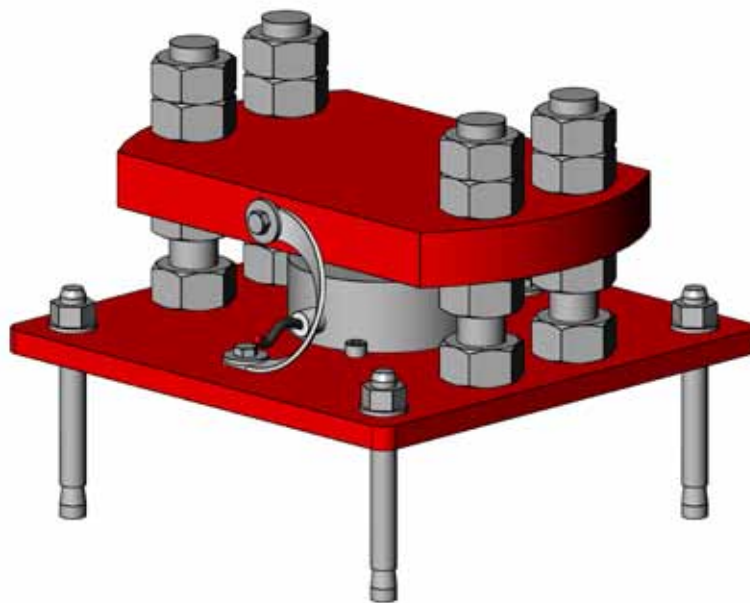


Installation and Operating Instructions

SCALE

408050 (en) 04-2022



You'll see the difference

INSTALLING THE SCALE SENSORS

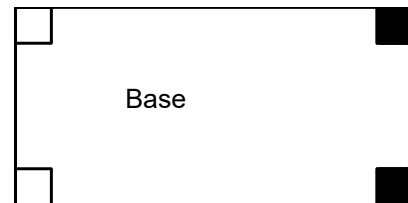
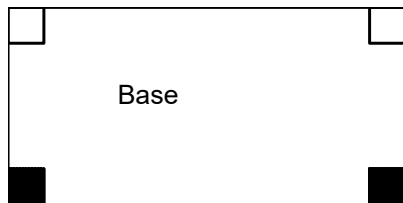
Antti-Teollisuus delivers scale sensors with installation parts for installation under two or four dryer legs. The nominal maximum load of the scale sensor is 20 tons. The load will be distributed across the four legs of the dryer, so the maximum total nominal load of the scale system amounts to 80 tons.

If the installation includes two sensors, the sensors must always be installed under adjacent legs (see picture), never crosswise.

The weight of the dryer should rest as freely as possible on the scale sensors. Tying the dryer to the surrounding structures should be avoided. Any unnecessary connection points with the surrounding structures impair the measuring accuracy.

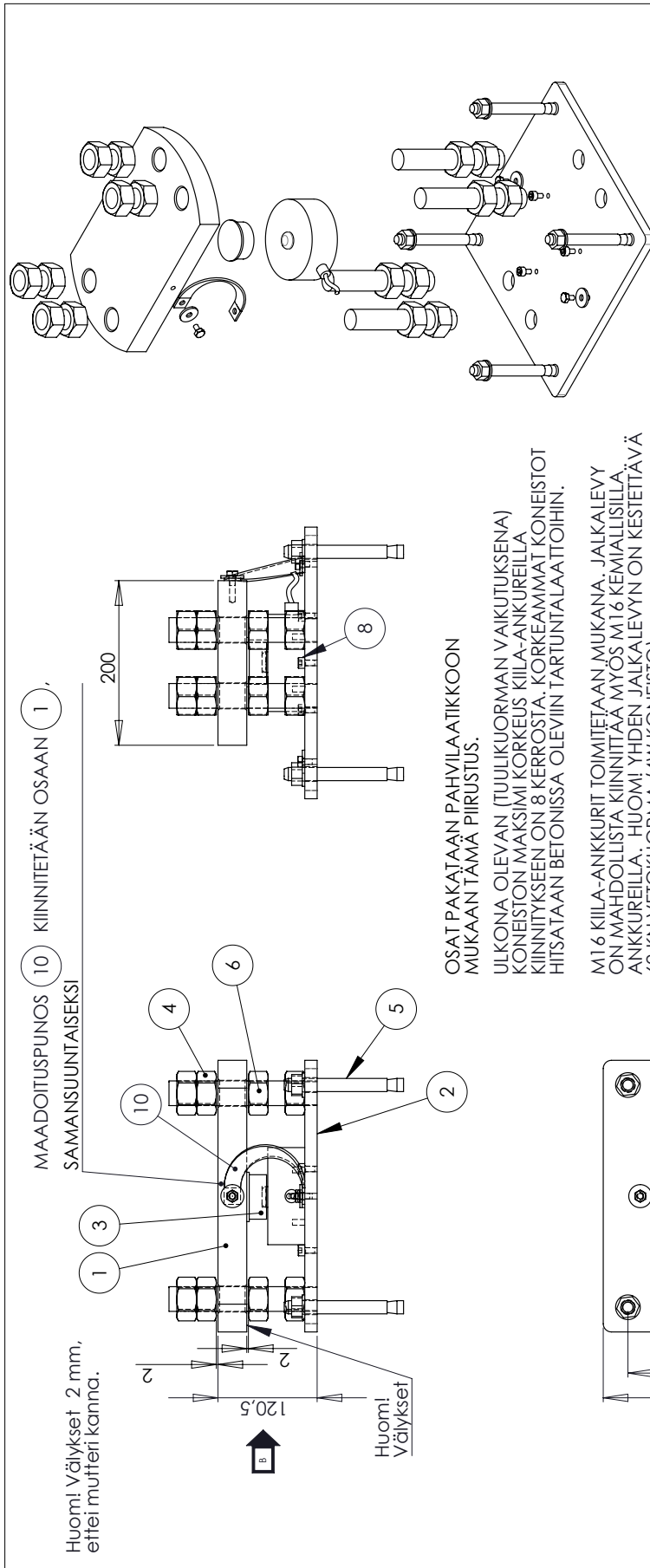
The sensors and their installation parts are suited to installation both out and in of doors.

The unit comprised of the scale sensor and the installation part is 120.5mm high. Take this measure into account when shortening the extension so that the height position of the dryer will be as planned.



Base viewed from above

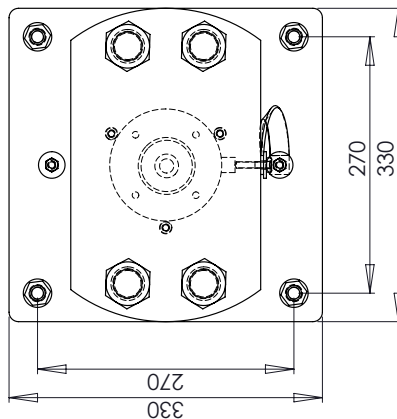
 Scale sensor



OSAT PAKATAAN PAHVILAATIKKOOKON MUKAAN TÄMÄ PIIRUSTUS.

ULKONA OLEVAN (TUULIKUORMAN VAIKUTUKSENA) KONEISTON MAKSIMI KORKEUS KIILA-ANKKUREILLA KIINNITYKSEEN ON 8 KERROSTA. KORKEAMMAT KONEISTOT HIISATAAN BETONISSA OLEVIIN TARTUNTALAATTOIHIN.

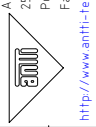
M16 KIILA-ANKKURIT TOIMITETAAN MUKANA. JALKALEVY ON MAHDOLLISTA KIINNITTÄÄ MYÖS M16 KEMIALLISILLA ANKKUREILLA. HUOMI! YHDEN JALKALEVYN ON KESTETTÄVÄ 62 KN VETOKUORMA (4W KONEISTO).



Osa	Nimike	Nimitys	Piir.num	Kpl	Massa
1	111562	ALUSLAATTA KORID28/D9X3 DIN40R ZN	3	0.01	
10	300656	MAADOITUSPUNOS K1-OT 6-150-0909-D	1	0.08	
9	101800	RUUVI 6K ZN 8X12 DIN933	3	0.01	
8	104212	RUUVI 6-KOLO 8.8 M8X12 AM	3	0.01	
7	300599	PAHVILAATIKKO 180X110X170 NO 0 ÖHM	1	0.38	
6	A70604	VAAKA-ANTURI OHJAINTANKO	4	1.00	
5	131010	KIILA-ANKKURI KA 16X140-145	4	0.3	
4	110641	MUTTERI M30 DIN934	16	0.00	
3	800453	VAAKA-ANTI Y276A YOUNGTON 20000KG	1	4.32	
2	A70555	VAAKA-ANTURI M06 ALALEVY ASENNUST	1	12.38	
1	A70554	VAAKA-ANTURI M06 YLÄLEVY ASENNUST	1	16.08	
Osa/nimike Nimitys			Piir.num	Kpl	Massa

Yleistiedot
 Plus ja kulumat ISO 2768-m Hittaus SFS-EN 13920-C
 Nimetus: VAAKA-ANTURI ASENNUST OSAT PAKK

Piirt.	23.11.2005	JA	Suhde	1:5
Tark.				
Hjv.				
hyönumero	KOKOONPANO			
Massa	41.76 kg			
Nimike/yhmä	A70556			
Revisio	B			



B	12.4.2022	JE	TARTONLEVY MUUTETTU ISORMAKSI, LISÄTTY MAADOITUS JA OHJEISTUS KIILA-ANKKUREISTA. JALAN KATK MITTA OLI 121.5. NYT 120.5.	
A	27.3.2007	AI	JALAN KATK MITTA OLI 128.5. NYT 121.5. ANTURIN KORK. OLI 52. NYT 45.	
Muutos	Päiväys	Muuttaja	Oli ennen	

The maximum height of the machinery, to be installed outdoors using expansion anchors, is (because of the wind load) 8 rows. A machinery higher than this must be attached by welding to the bond plates embedded in the concrete. Attach the foot plates to the concrete foundation using M16x140 expansion anchors, 4 anchors/plate. Drill a D16 hole, 140 mm deep, for the expansion anchors. Clean the drilled hole before installing the anchor.

(Ensure that the concrete foundation has hardened sufficiently after the casting to provide firm attachment of the anchors). The expansion anchors are delivered with the extension legs. The foot plate can also be attached using a M16 chemical anchor. Note! Each anchor must be able to withstand a pull of 16 kN.

The scale sensor cables must be of equal length. If the cables are shortened or extended, this must be done to all cables. The electric connections of the sensors must be made in accordance with the wiring diagram for the control centre.

The upper plate of the installation parts shall be attached to the dryer leg by means of a solid welding seam extending around the leg. The scale sensor shall not be put into place before all the welding work on the dryer has been completed.

Upon completion of the welding work and before commissioning the scale system, ensure that there is a gap of 2mm between the upper and lower nuts and the upper plate (see picture).

GUARANTEE TERMS

Antti-Teollisuus Oy grants a guarantee on the products the company has manufactured, subject to the following terms:

1. The guarantee lasts for one year, starting on the date of delivery from the factory; however, it must include at least one harvesting season.
2. The guarantee covers defects in material and workmanship that are observed during the guarantee period.
3. The guarantee period for the heat exchanger of the dryer heater is five years from the date of delivery from the factory.
4. The instructions given by the manufacturer and the valid regulations have been followed during assembly, operation and servicing.
5. The electrical installation may only be carried out by a duly authorised service company.
6. The manufacturer is not responsible for any possible guarantee or commitment that the distributor may have granted.

Compensations under the guarantee

The guarantee covers the repair or replacement of the faulty parts, as deemed appropriate by the manufacturer.

The guarantee covers neither the consequential losses caused by the breakdown of the appliance nor the labour, travel or daily allowances, which are incurred as a result of the replacement of the part.

The guarantee does not cover the assembly and adjustment of the machinery.

A prerequisite for validity of the product guarantee is that the control system and the components used are approved by Antti-Teollisuus.

Restrictions

Compensation under the guarantee will not be remitted in the following cases:

1. If the cause of the fault is normal wear, abnormal operating conditions, incorrect installation, inadequate servicing, carelessness or unintended use.
2. The defect has resulted from incorrect voltage or any other disturbance in the electric supply network.
3. The defect has resulted from thunderstorm, fire, flooding or any other external factor.
4. The defect has resulted from water or any other contamination in the fuel or from use of fuel not suitable for the burner.
5. If the user has modified the appliance or attached additional equipment to it without the consent of the manufacturer, or if the pre-set fixed values of the limiting devices have been changed.

Claiming for compensation

1. The manufacturer and distributor must be notified of the defect in writing without delay.
2. The make, type and serial number as well as the date of delivery/putting into operation of the machine must be advised.
3. Upon request, the faulty part or appliance must be delivered to the guarantor without delay. If the part is not returned, the guarantor is entitled to invoice for the replacement part.



EU Declaration of Conformity

ANTTI-TEOLLISUUS OY
Koskentie 89
FI-25340 KANUNKI
Tel.: +358 2 7744700

declares that

SCALE

conform with the provisions of the following directives:

- Machine Directive 2006/42/EU

Kuusjoki 03.01.2020

Kalle Isotalo
Managing Director