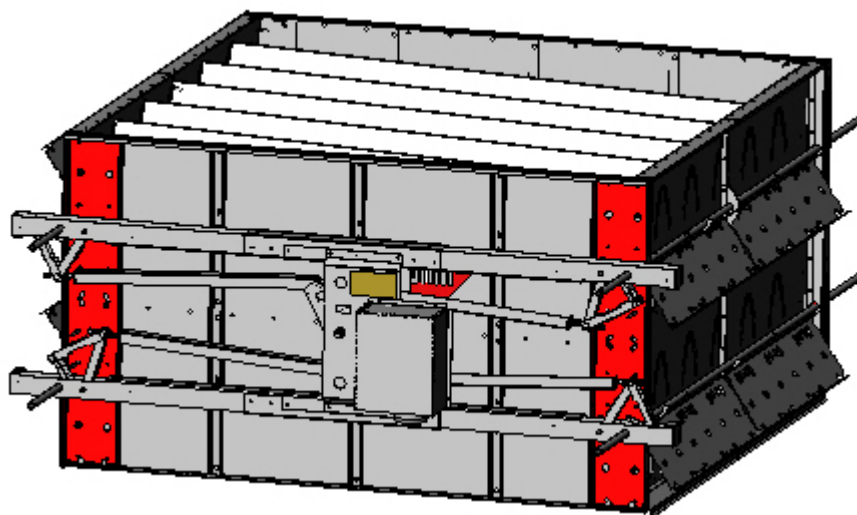




Installation and operating instructions

Antti Optivol M11

408107 (en)



ANTTI-TEOLLISUUS OY

Koskentie 89

FI-25340 Kanunki, Salo

Tel. +358 2 774 4700

E-mail: antti@antti-teollisuus.fi

www.antti-teollisuus.fi

12-2019

CONTENTS

Using the Optivol	3
Safety	3
Assembling the Optivol.....	5
Installing the Optivol inside the drying section.....	6
Installing the Optivol limit sensor inside the drying section	8
Wiring of the Optivol	9
SERVICING.....	9
GUARANTEE	9
EU Declaration of Conformity	11

Using the Optivol

This manual deals with the shutter to be installed inside the air duct in the drying section of a grain dryer. The intention of this product is to optimise the drying process of small batches. The correct ways to install and operate the unit are presented in this manual.

Read this manual carefully before starting the installation.

Safety

- **The Optivol includes moving parts that can cause a fracture, if touched while the machine is running! Never open the inspection doors of the machine unless you have first ensured that the power supply circuit is disconnected, e.g., by removing the fuse!**
- The following warning sign is affixed to the Optivol:



Never open the door while the machine is in running - risk of injury to hands and fingers!

IMPORTANT!

- The instructions in the text must be followed; otherwise the Optivol and/or the other accessories may get damaged. This may also result in faulty operation or reduced capacity.

Warning!

- **Always use protective gloves when installing or handling the Optivol.**

Warning!

- **Switch off the machine, and disconnect the power supply before carrying out any installation or maintenance work.**

Warning!

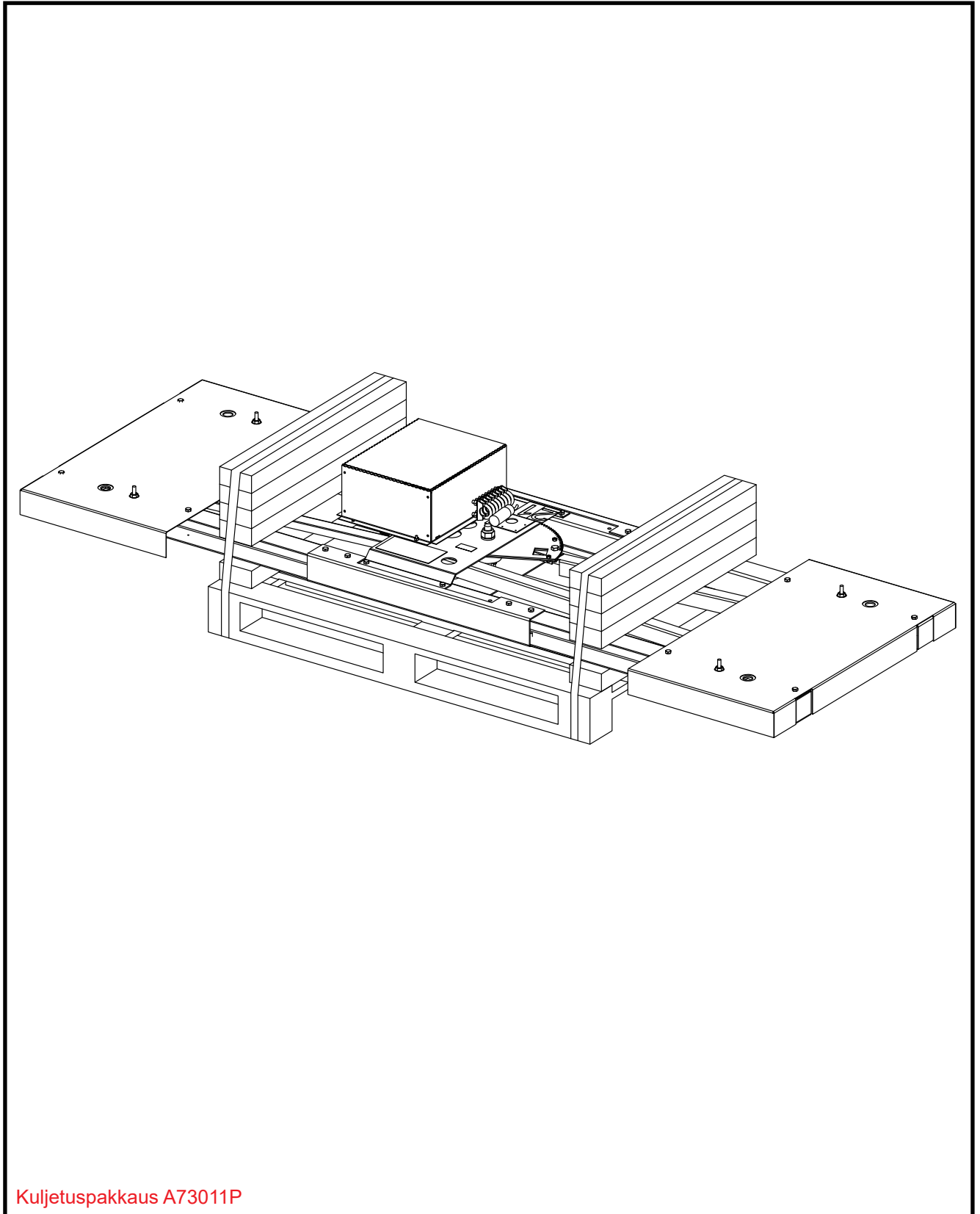
- **Connecting the electric appliances must be assigned to a skilled electrician. Refer to the separate connecting instructions for more information.**

Warning!

- **The machine must not be started unless its doors, joints and connections have been installed in such a manner that they can only be opened by using tools.**

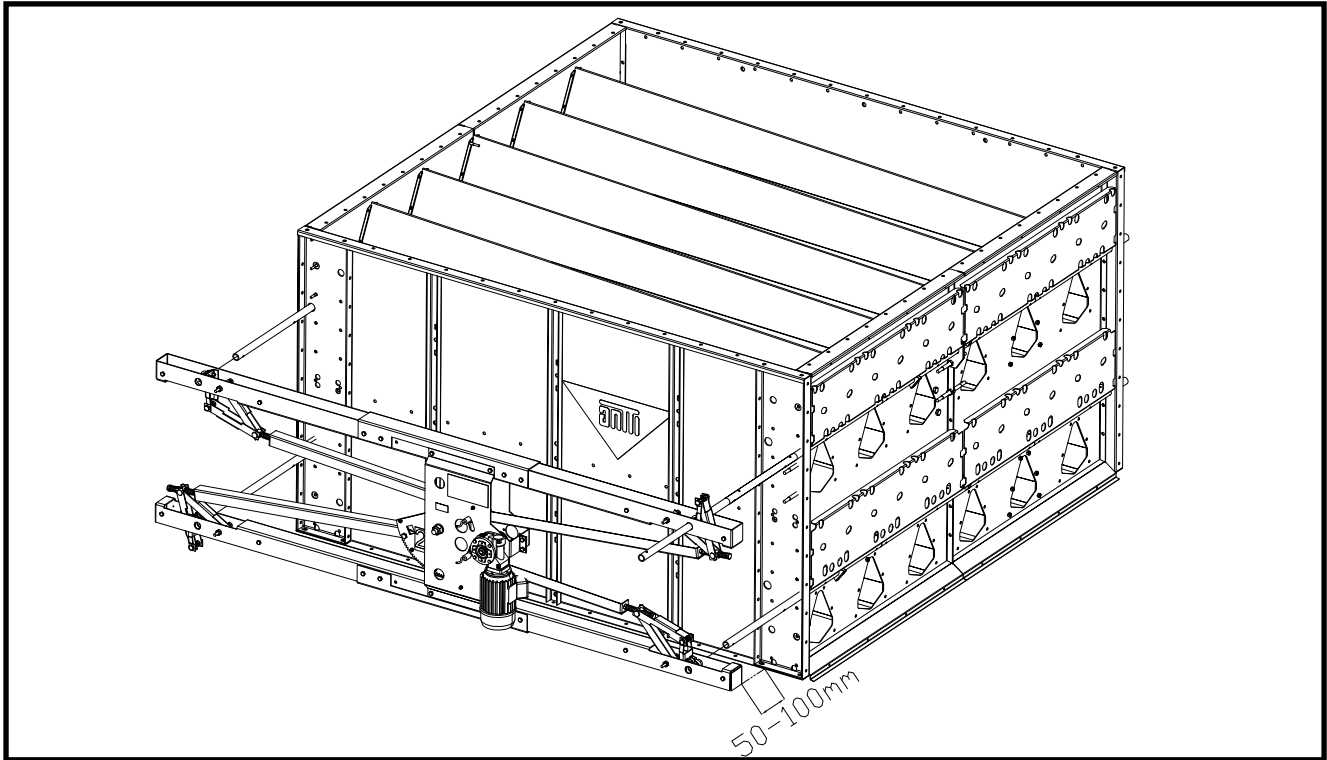


Assembling the Optivol



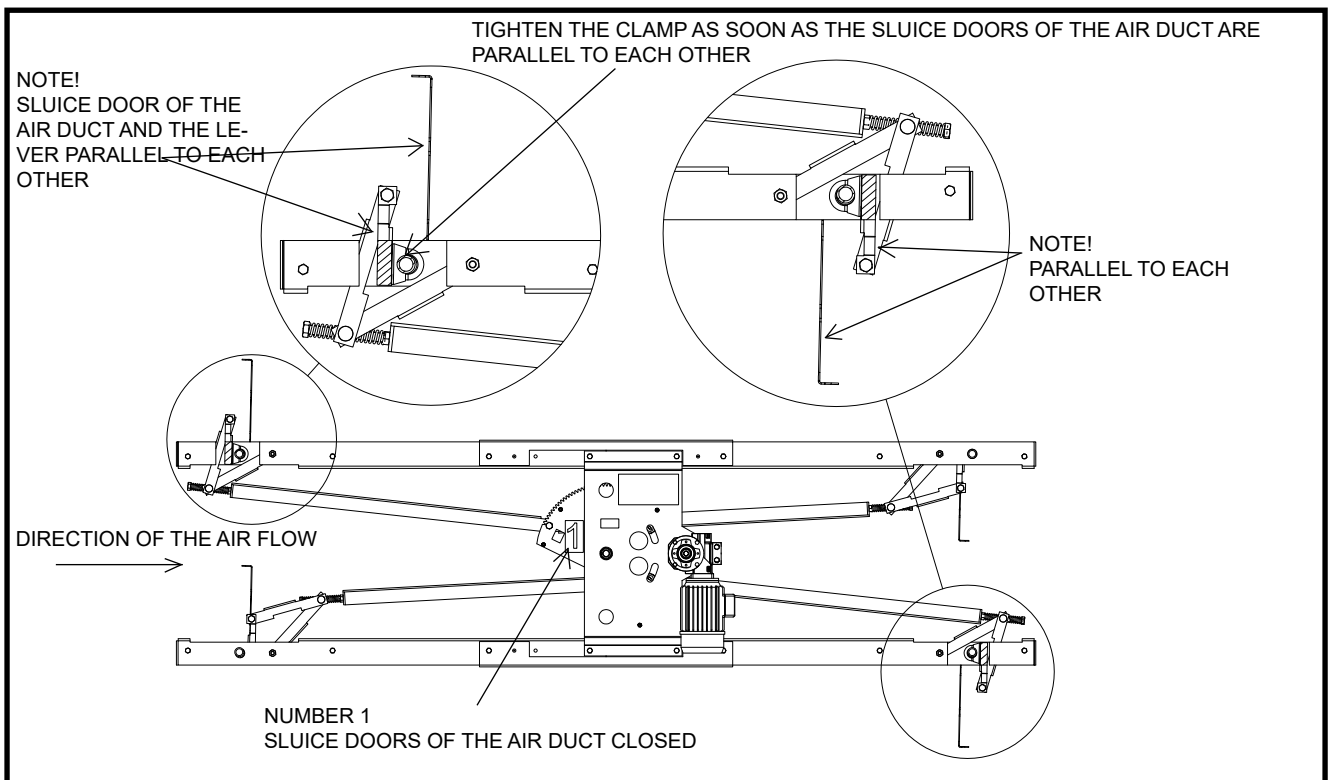
Kuljetuspakkaus A73011P

Installing the Optivol inside the drying section

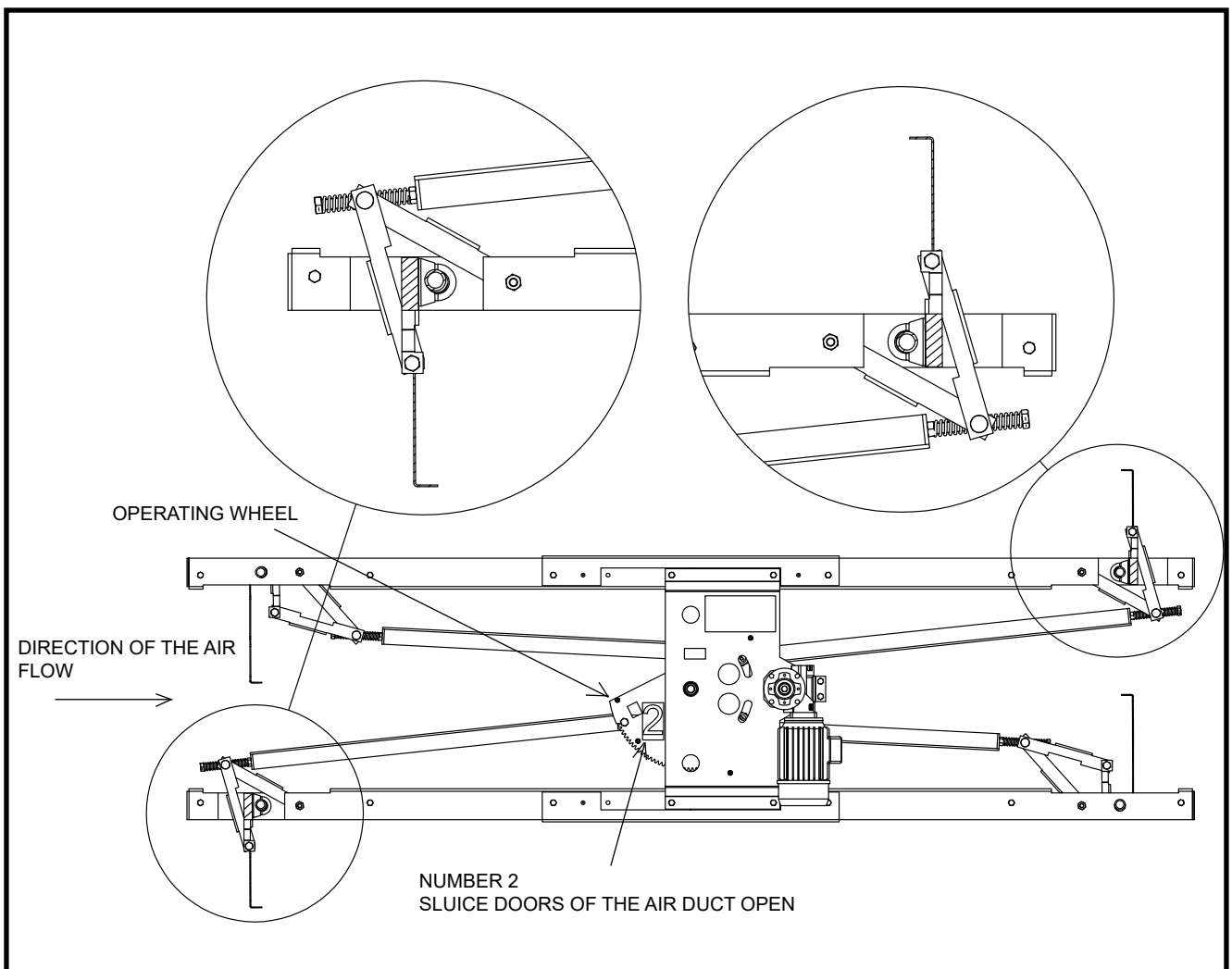


Install the unit in the shafts of the air duct. Leave a gap of about 50 mm between the unit and the drying section.

NOTE! In the StandAlone models, do not install the unit until the insulation work has been completed.

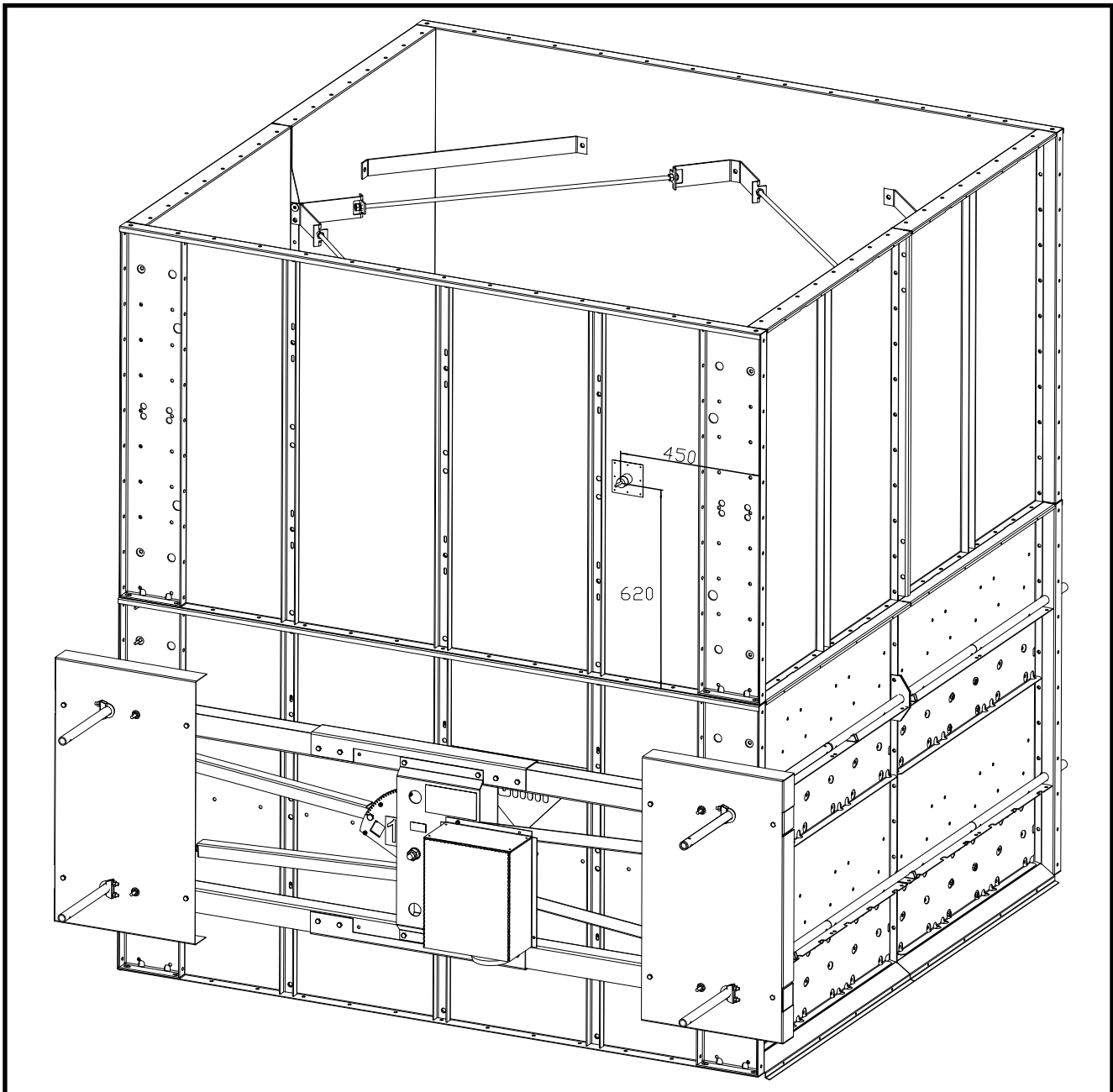


1. Remove the cover of the motor fan.
2. Rotate the motor until the lever reaches its vertical position, as shown in the drawing. Then set the sluice door parallel to the lever.
3. Set now all the sluice doors in the closed-position, and turn the levers parallel to each other, as shown in the drawing.
4. Tighten the exhaust pipe clamps.
5. Rotate the operating wheel back to its vertical position.



Ensure that the motor rotates in the correct direction. After having completed the wiring of the motor, check that the sluice doors certainly close; as necessary, adjust the limit switches. Close the doors by driving them against the spring force.

Installing the Optivol limit sensor inside the drying section



The limit sensor, included in the delivery, shall be installed in the overhead drying section or in the top tank. The correct installation location is presented in the drawing. The installation plate for the sensor shall be attached to the end plate using self-drilling screws.

Using external exhaust pipe clamps, position the Optivol in the air duct shafts. Place the clamps on either side of the Optivol, centered with the clamps on the leverage. Put first in place the clamp on the drying section side, and after that, put the cover in place, and fasten the outer clamp.

NOTE! In the StandAlone models, the limit sensor shall be installed before insulating the unit.

NOTE! The optional middle level sensor, which controls the start of the drying process, shall be installed in the lowest located section provided with Optivol in accordance with the dimensioning, presented in the adjacent drawing.



Wiring of the Optivol

The unit shall be wired in accordance with the documents delivered with the control system or the separately delivered control centre.

SERVICING

Annual service

- Clean up the cooling ribs of the motor and the air impeller.
- Check the attachment nuts and bolts for the motor for tightness.
- The gear motor is lubed-for-life and maintenance-free.

GUARANTEE

The guarantee period for the Optivol runs for one (1) operating season. The guarantee covers defects in material and workmanship. For the electric motors, the guarantee terms, issued by the importers/manufacturers apply. A prerequisite for validity of the guarantee is that the instructions issued by the manufacturer and the valid regulations have been followed during installation, use and service of the Optivol. All matters related to the guarantee shall be agreed upon with the manufacturer before any action is taken.

A prerequisite for validity of the product guarantee is that the control system and the components used are approved by Antti-Teollisuus.





EU Declaration of Conformity

ANTTI-TEOLLISUUS OY
Koskentie 89
FI-25340 KANUNKI
Tel.: +358 (0)2 7744700

declares that

OPTIVOL – CLOSING DEVICE FOR AIR DUCT

conform with the provisions of the following directives:

- **Machine Directive 2006/42/EC**

Kuusjoki 05.12.2019

Kalle Isotalo
Managing Director